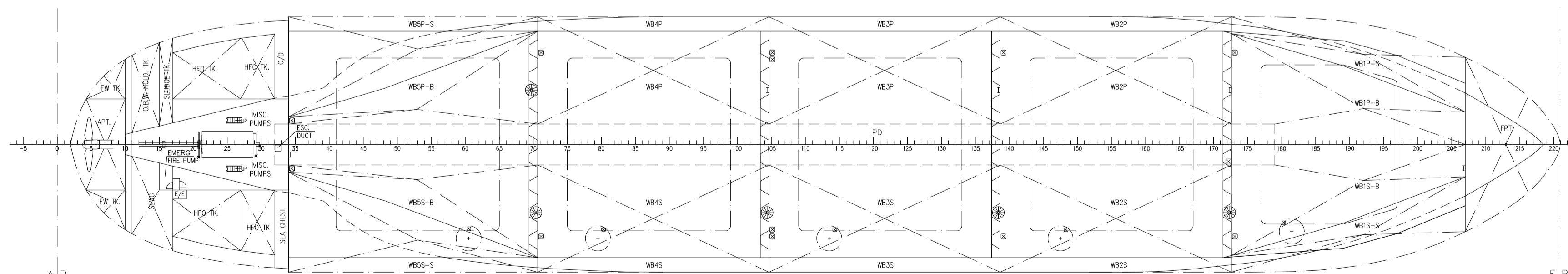
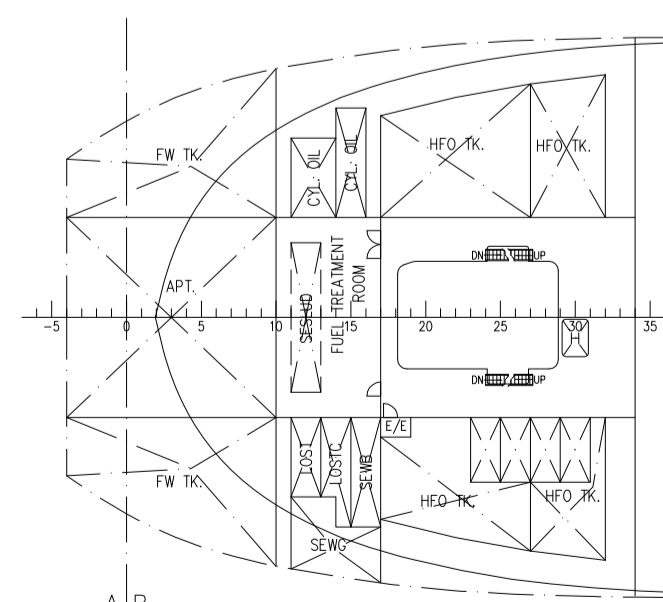
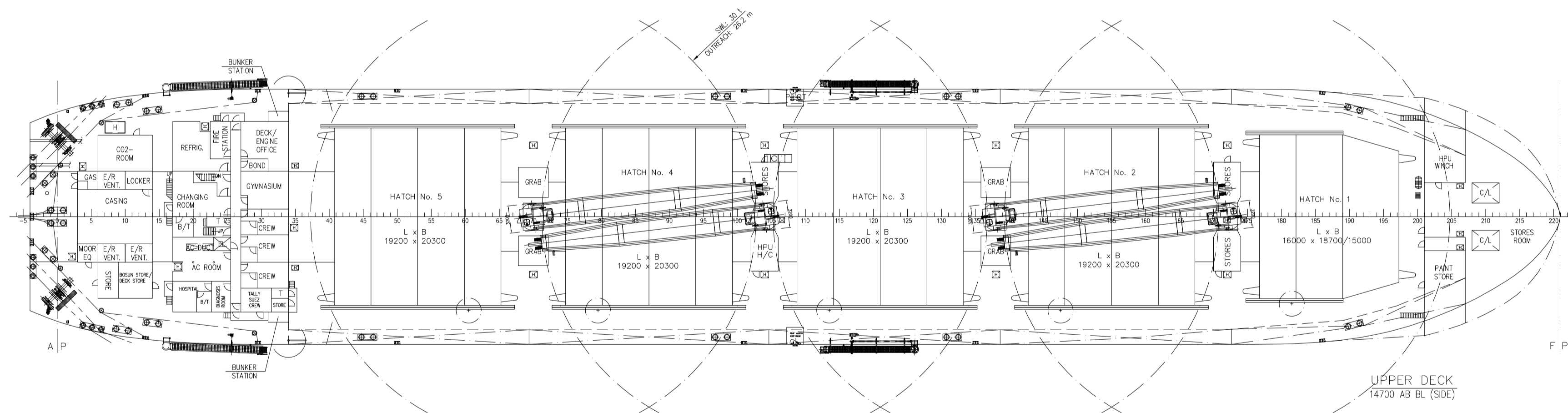
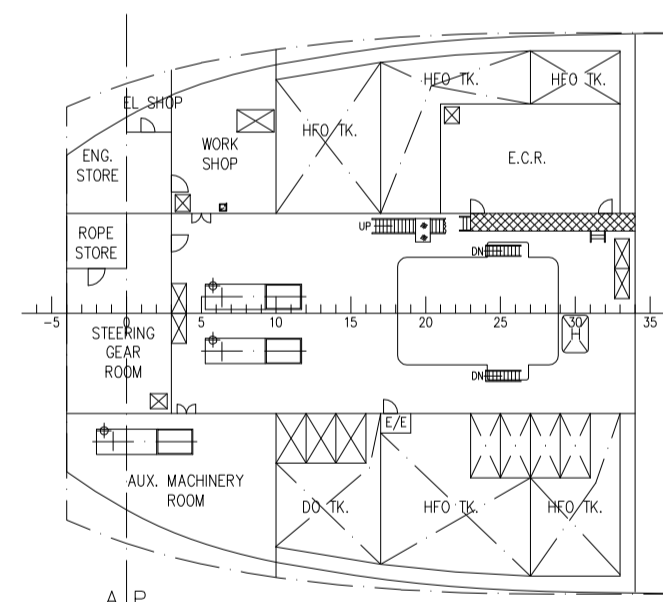
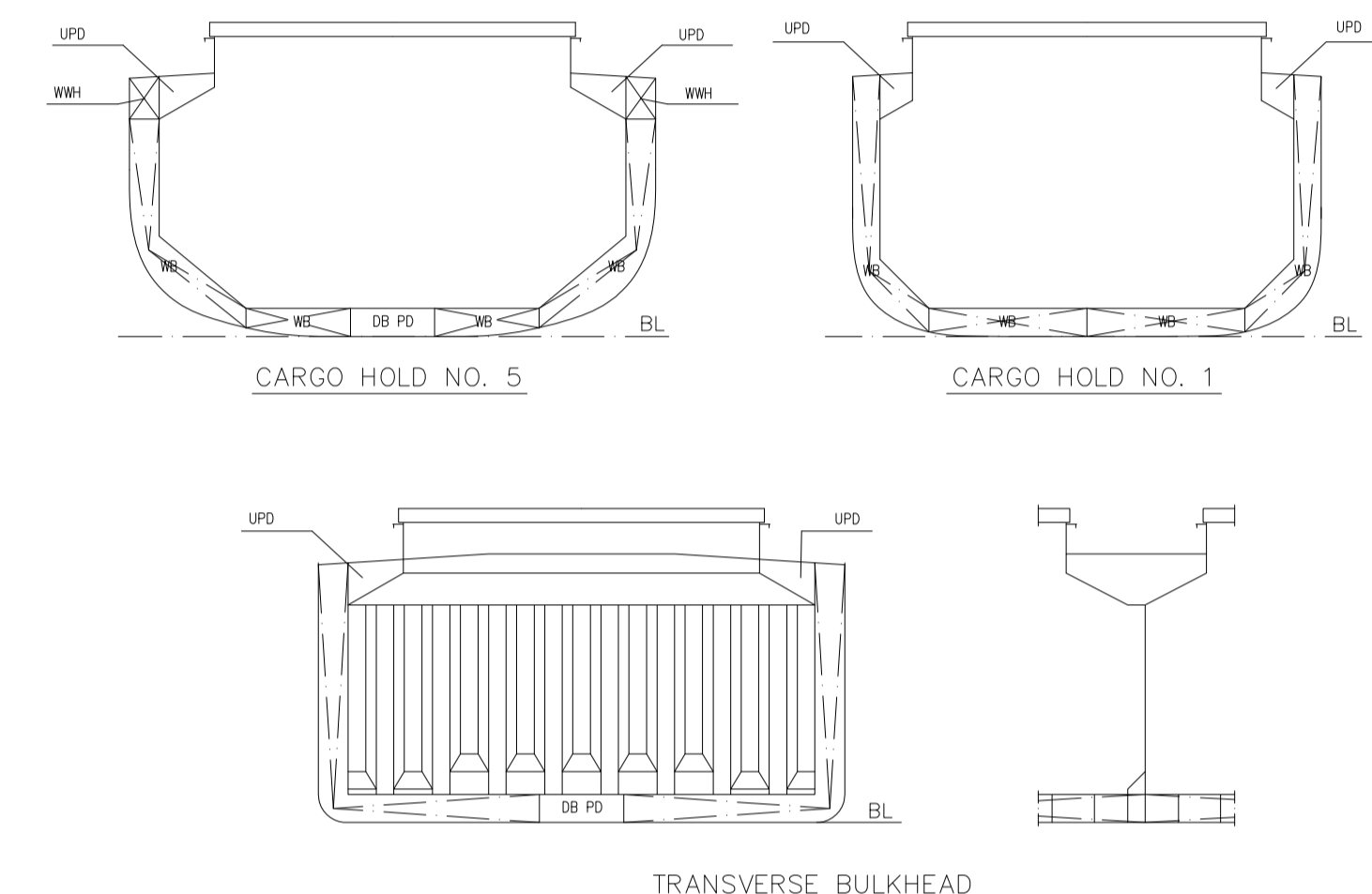
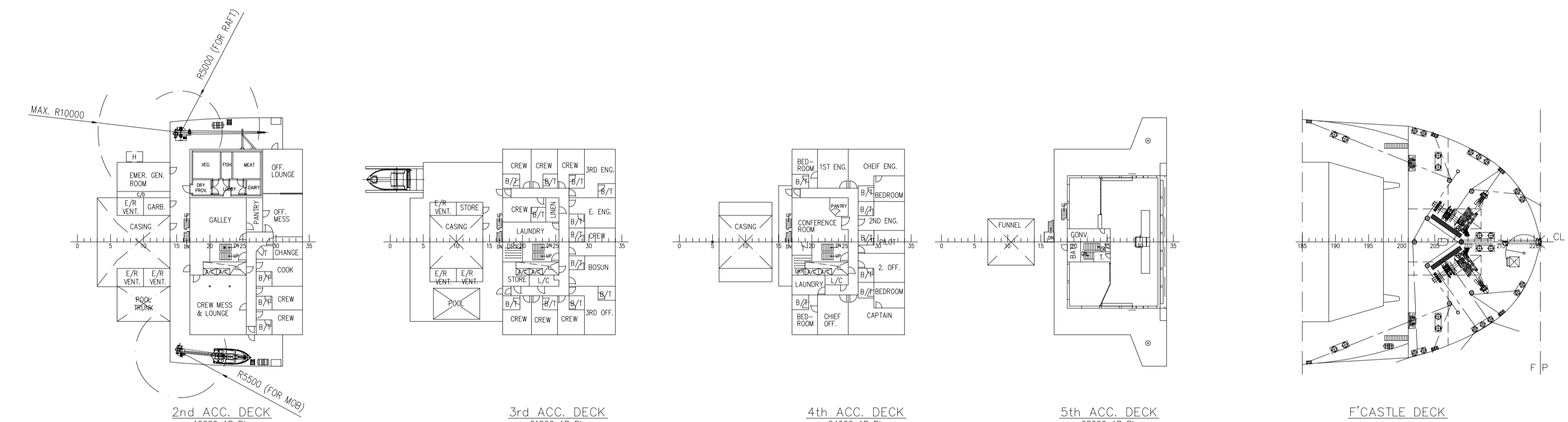
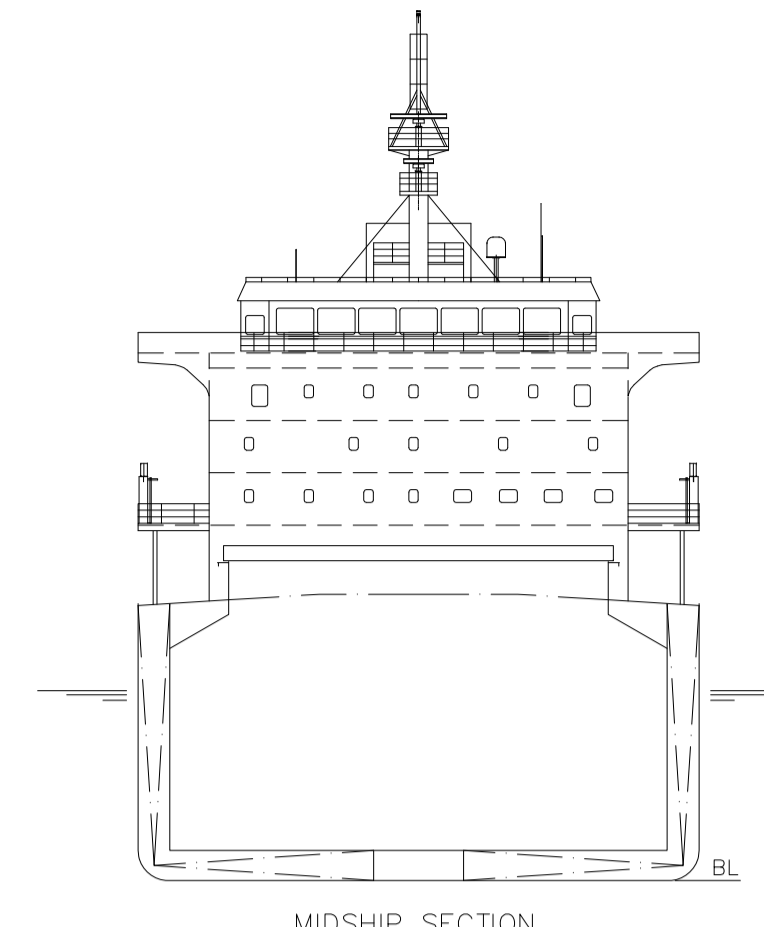
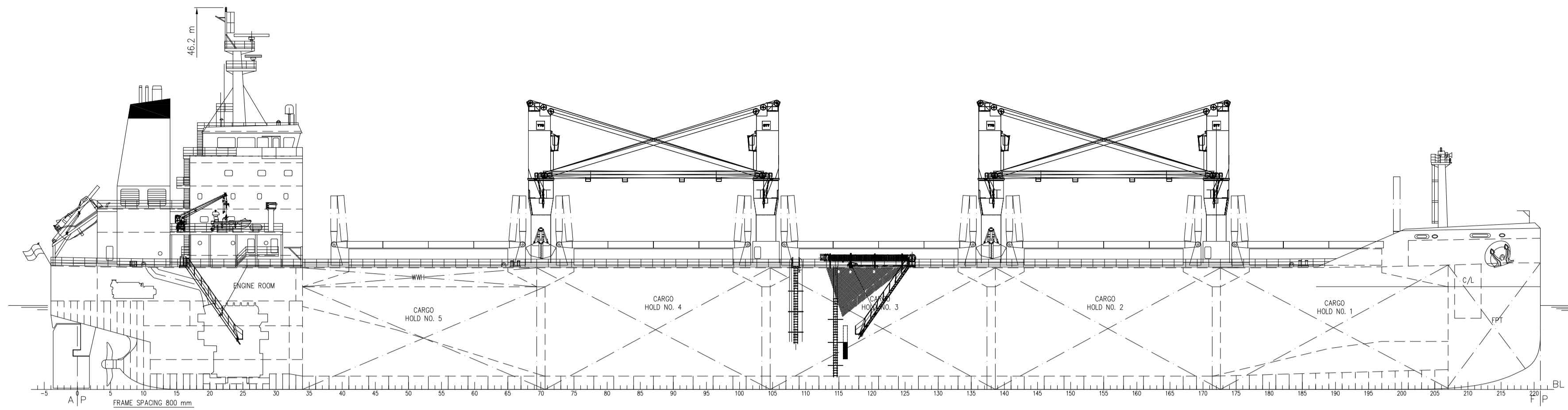


WHEELHOUSE TOP
31200 mm AB. BL.
5th ACC. DECK
28200 mm AB. BL.
4th ACC. DECK
24600 mm AB. BL.
3rd ACC. DECK
21800 mm AB. BL.
2nd ACC. DECK
19000 mm AB. BL.
1st ACC. DECK 16200 mm AB. BL.
UPPER DECK (SIDE)
14700 mm AB. BL.
A-DECK 10700 mm AB. BL.
B-DECK 7700 mm AB. BL.
F./B. FLOOR 3750 mm AB. BL.
TANK TOP
1600/1885 mm AB. BL.



SEAHORSE 35 - 35,000 DWT BULK CARRIER

MAIN DIMENSIONS (ALL APPROX):

LENGTH OA MAX.	: 180.00 m
LENGTH PP APPROX.	: 176.75 m
RULE LENGTH	: 174.60 m
BREADTH (MLD)	: 30.00 m
DEPTH TO UPPER DECK (MLD)	: 14.70 m
CARGO CAPACITY (100%)	: 46,700 m ³
DWT (SCANTLING DRAUGHT)	: 34,947 t
SCANTLING DRAUGHT	: 10.10 m
CB (SCANTLING DRAUGHT)	: 0.82
SERVICE SPEED (SCANTLING DRAUGHT)	: 14.00 kn
CORRESPONDING OUTPUT (15% SEA MARGIN)	: 6,000 kW

CLASS NOTATION:

DnV +1A1 Bulk Carrier ES(D), CSR, BC-A (Holds 2 and 4 may be empty), GRAB(20), ESP, E0, HA(+), TMON, BIS, FUEL (700cSt, 991kg/m³, -15deg), DG-B, BWM-E(s,f), COAT-PSPC(B)

SHIP NAME: ALENTEJO
IMO No. : 9626118

Rev. Description	GD-A	Date	Sign	Check
<p>Grontmij Carl Bro Marine Naval Architects-Marine Engineers-Surveyors</p>				
Job : SEAHORSE 35	Job No. : 40.5114.00			
Subject : GENERAL ARRANGEMENT	Draw No. : 009-01			
Scale : 1:400	Approval Date		Size : 841x594	
Yard : ZCHI SHIPBUILDING CO. LTD., CHINA	Approval Date		Date : 25-Sep.-2012	
Yard No. : ZC3009	Approval Date		Sign : WAG/hnd/LIN	
Class : DET NORSKE VERITAS	Approval Date		Check : KSA	
Owner : F.H. BERTLING REEDEREI GMBH	Approval Date			