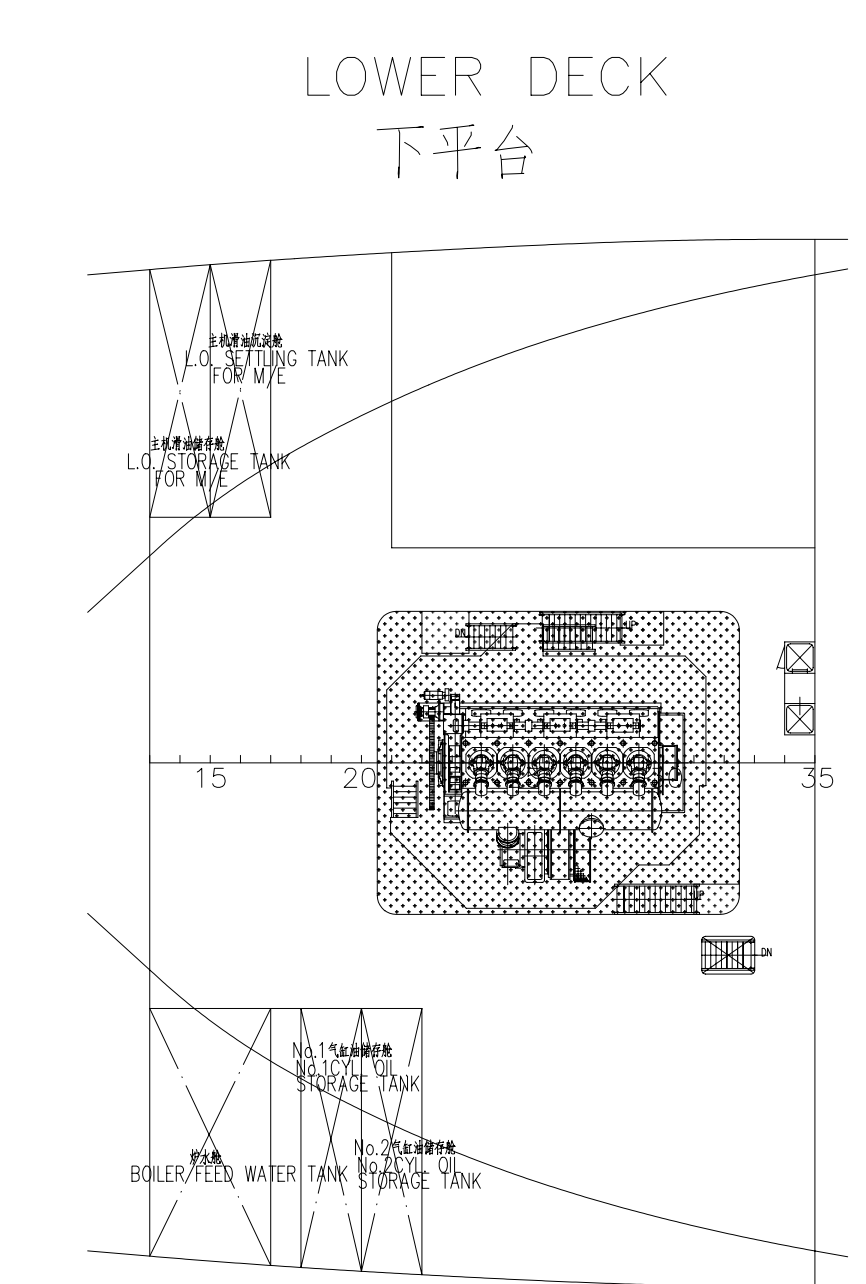
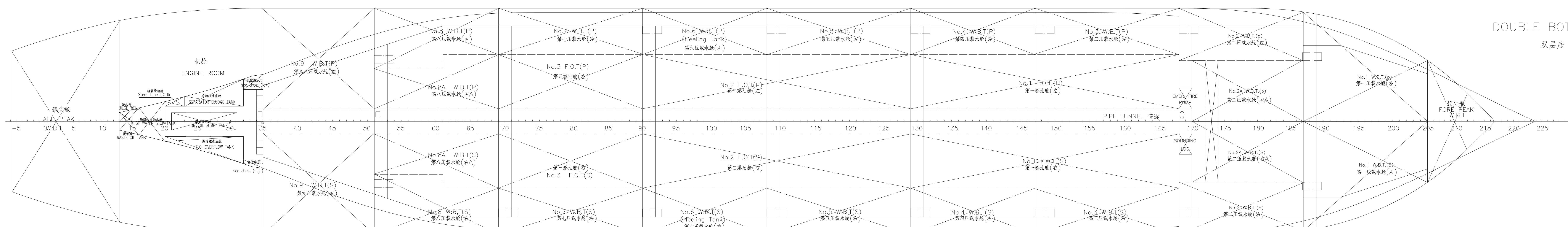
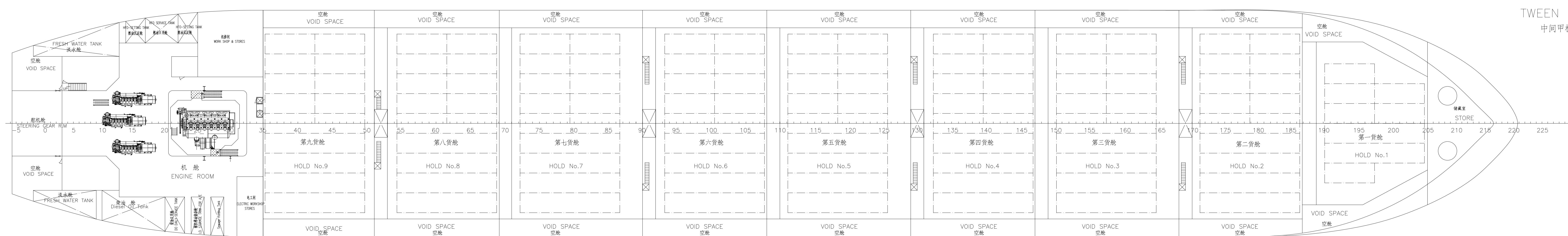
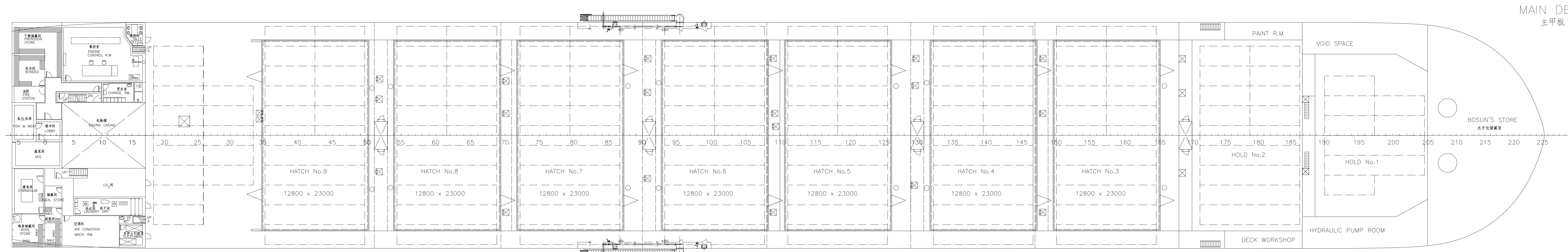
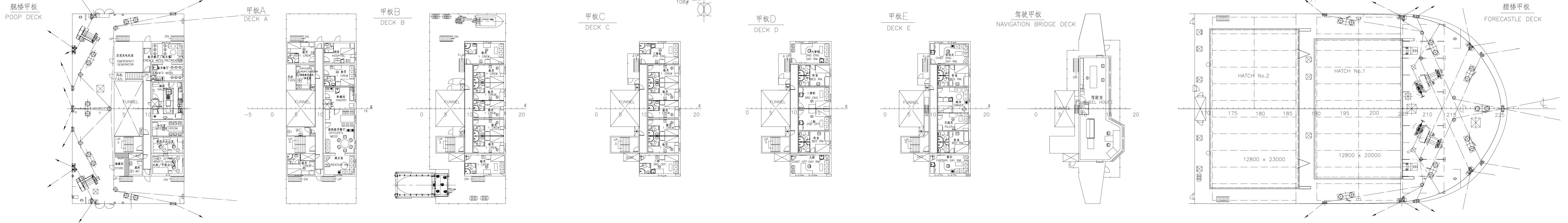


PRINCIPAL PARTICULARS

LENGTH (O.A.)	188.64 m	
LENGTH (B.P.)	177.00 m	
BREADTH (M.L.D.)	27.70 m	
DEPTH (M.L.D.)	15.50 m	
DRAUGHT (DESIGN)	10.10 m	
DRAUGHT (SCANTLING)	11.30 m	
DEADWEIGHT (DRAUGHT=10.7m)	32200 T	
HEIGHT TO TWEEN DECK	12.20 m	
SERVICE SPEED	14.50 Kts	
ENDURANCE	18000 nm/tp	
COMPLEMENT	29 P.	
HOLD CAPACITY	45069 cbm	
CONTAINER	IN HOLD ON DECK TOTAL	
20 FEET CONTAINERS	904	970 1874

CLASS NOTATION:
 DNV+1A1 (bulk carrier) ESP
 HC/E (holds 2,4&6 empty or holds 3,5&7 empty)
 DG-B (only for hold No.1 through No.8)
 grain U.ECO



BUILDER	KOUAN SHIPYARD	SHIP'S NO.	
DESIGNER	MARINE DESIGN & RESEARCH INSTITUTE OF CHINA	FINAL DESIGN	
	32000 DWT BULK CARRIER	QB4.4193.050.001	
设计	总布置图	比例	1:200
制图	张	共 2 页	第 1 页
审核			
日期	2002.6		

MARIC
 图例: 1:50 m²