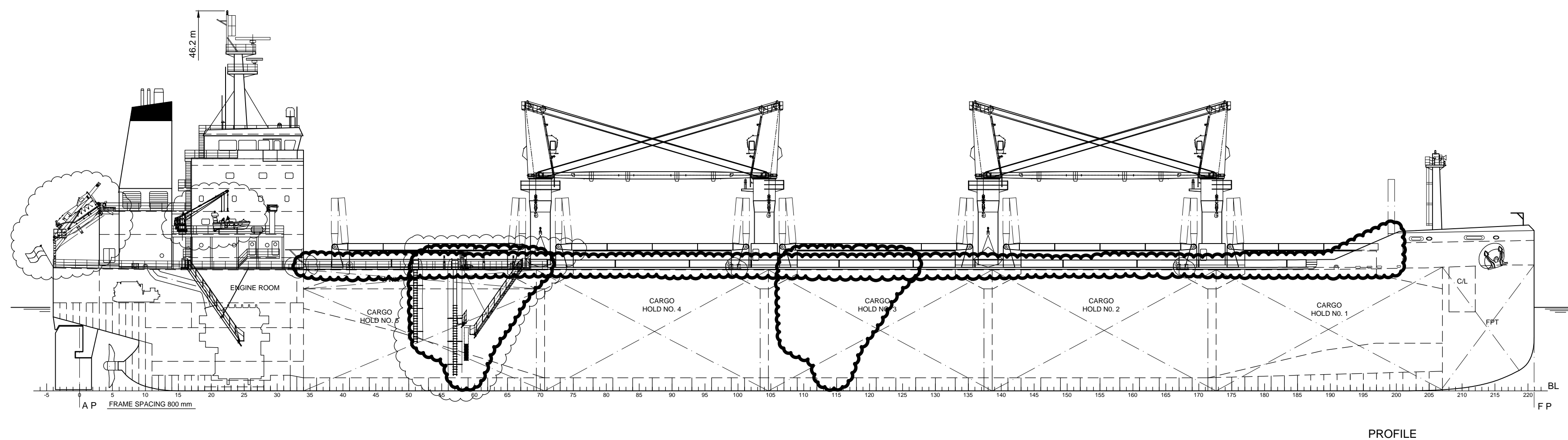
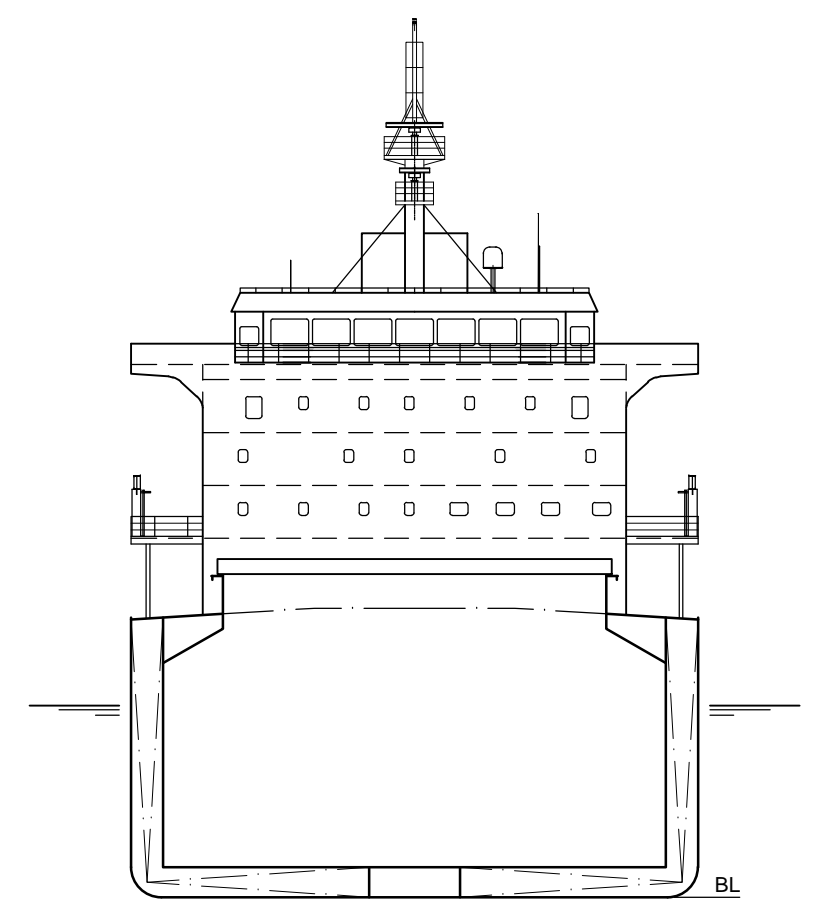


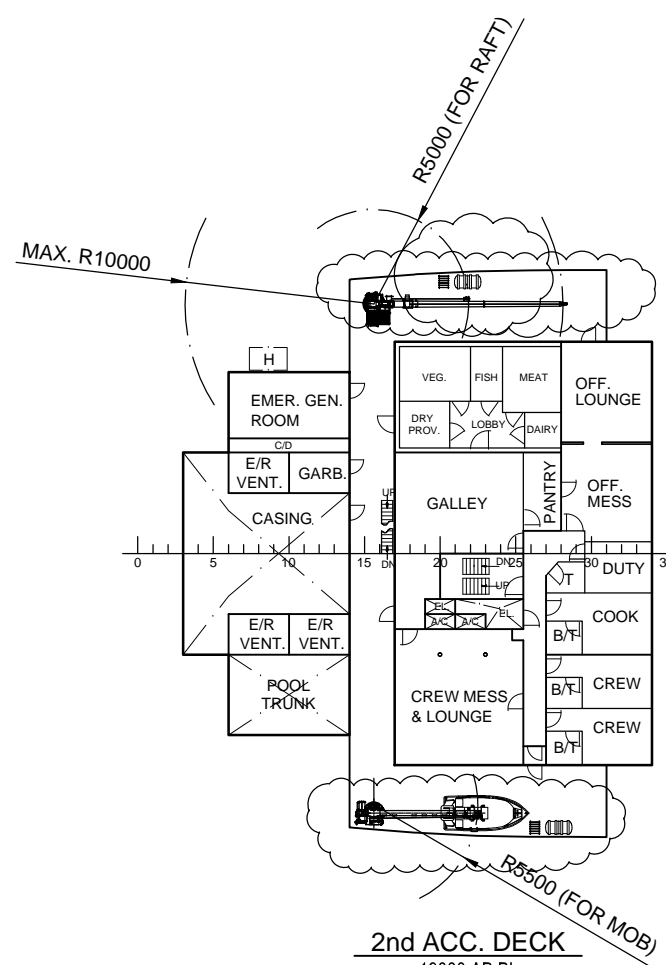
- WHEELHOUSE TOP  
31200 mm AB. BL
- 5th ACC. DECK  
28200 mm AB. BL
- 4th ACC. DECK  
24600 mm AB. BL
- 3rd ACC. DECK  
21800 mm AB. BL
- 2nd ACC. DECK  
19000 mm AB. BL
- 1st ACC. DECK 16200 mm AB. BL
- UPPER DECK (SIDE)  
14700 mm AB. BL
- A-DECK 10700 mm AB. BL
- B-DECK 7700 mm AB. BL
- E/R FLOOR 3750 mm AB. BL
- TANK TOP  
1600/1905 mm AB. BL



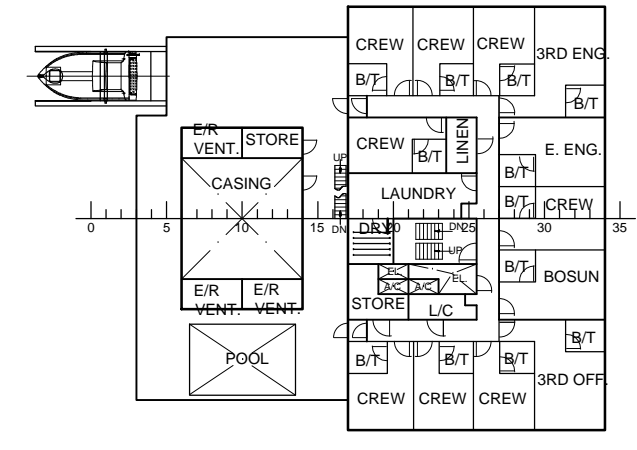
PROFILE



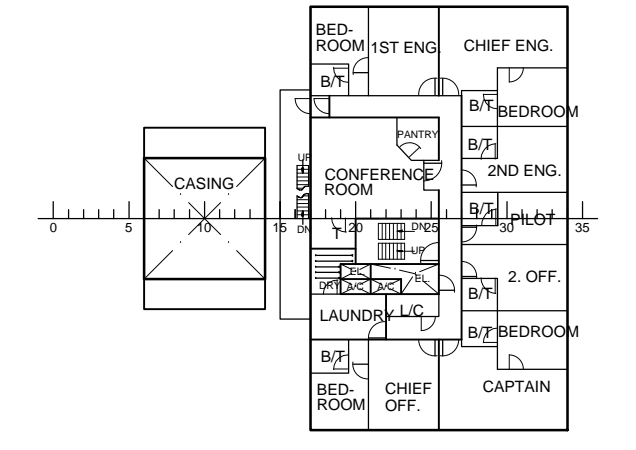
MIDSHIP SECTION



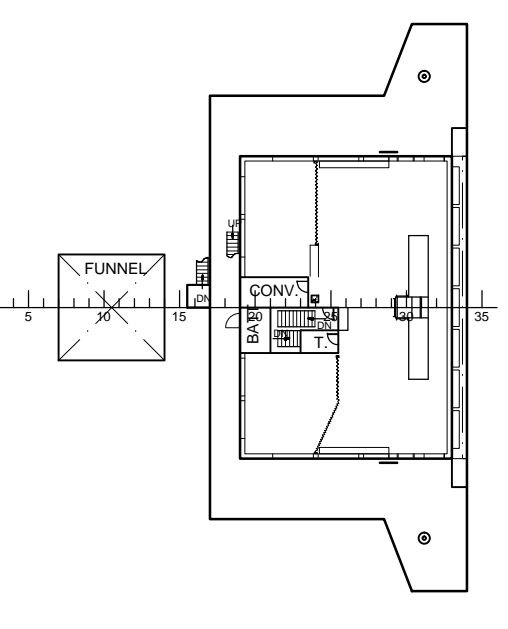
2nd ACC. DECK  
19000 AB. BL



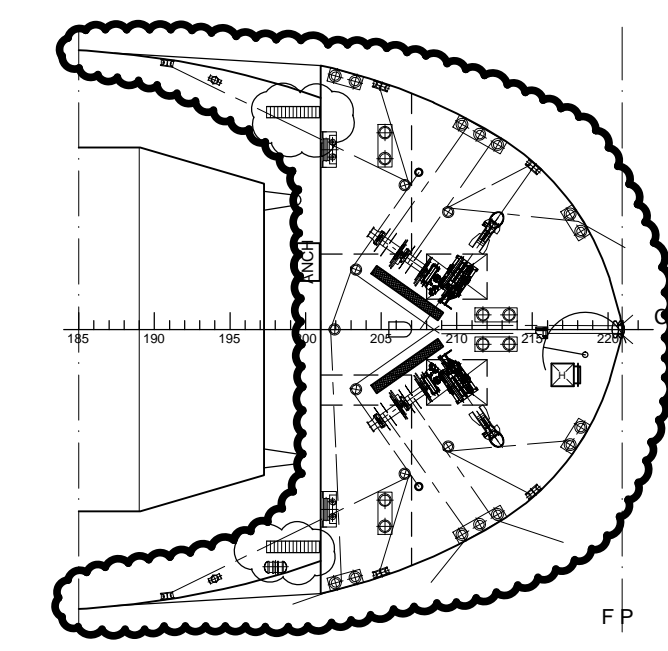
3rd ACC. DECK  
21800 AB. BL



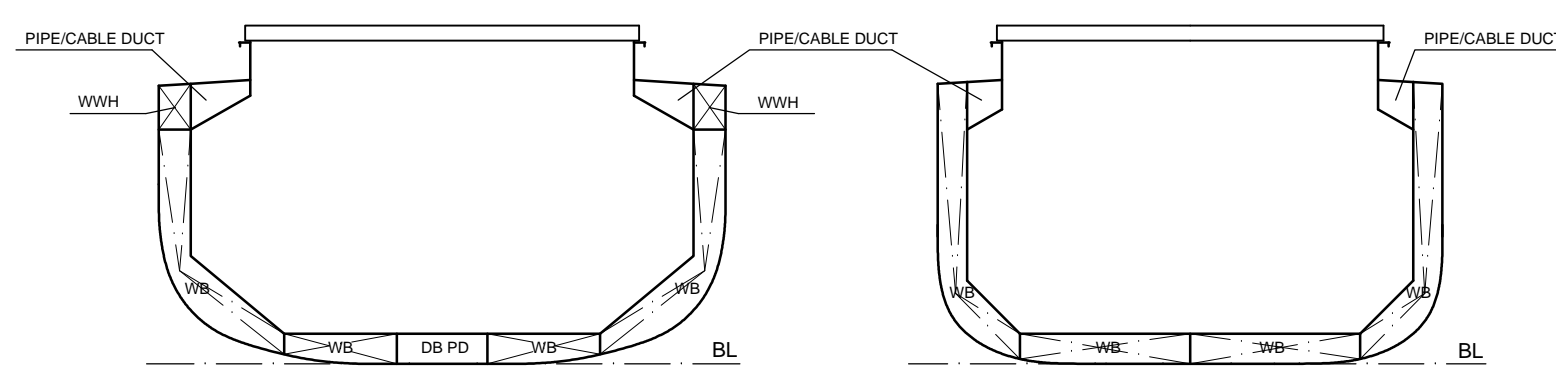
4th ACC. DECK  
24600 AB. BL



5th ACC. DECK  
28200 AB. BL

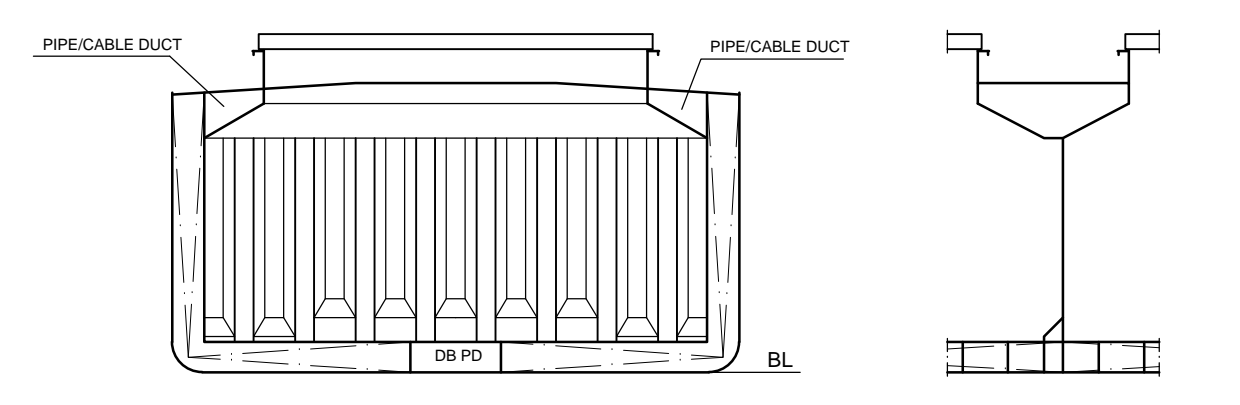


F'CASTLE DECK

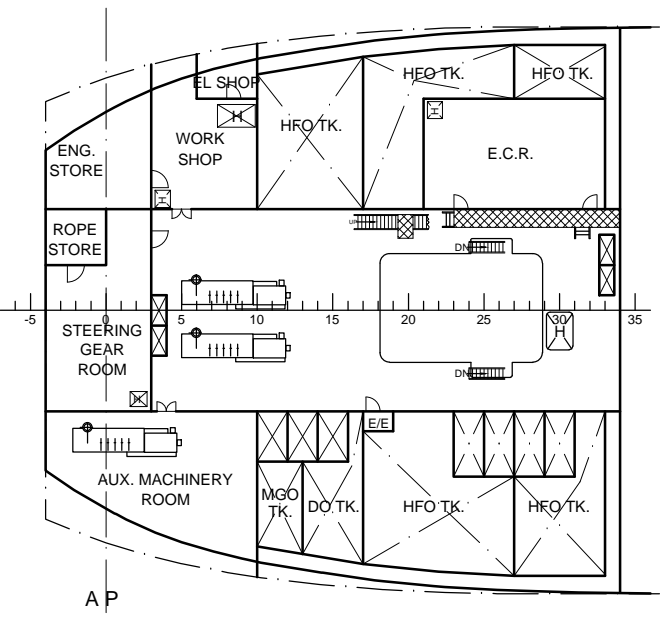


CARGO HOLD NO. 5

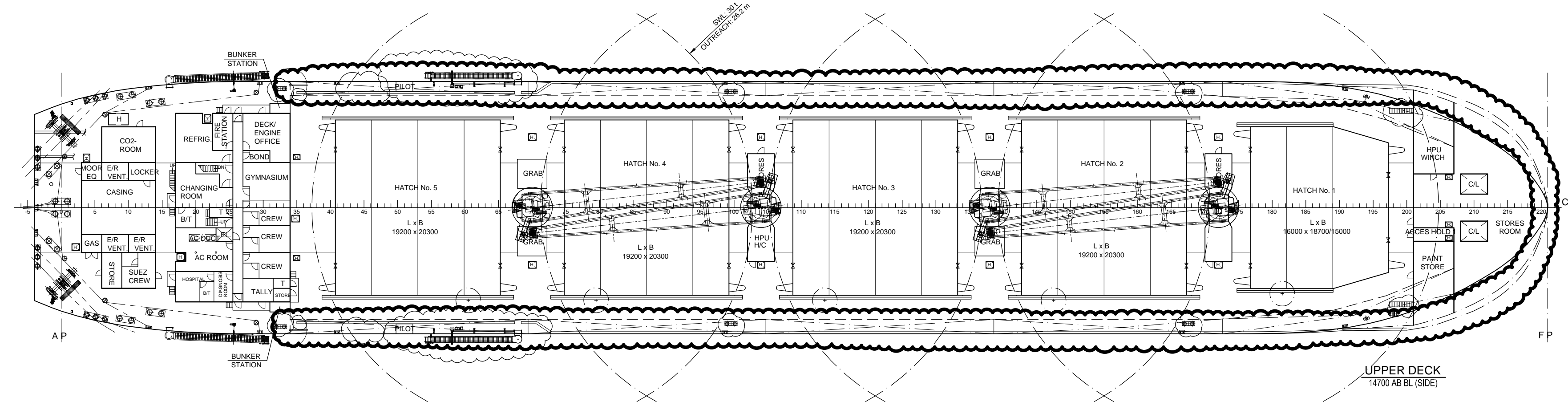
CARGO HOLD NO. 1



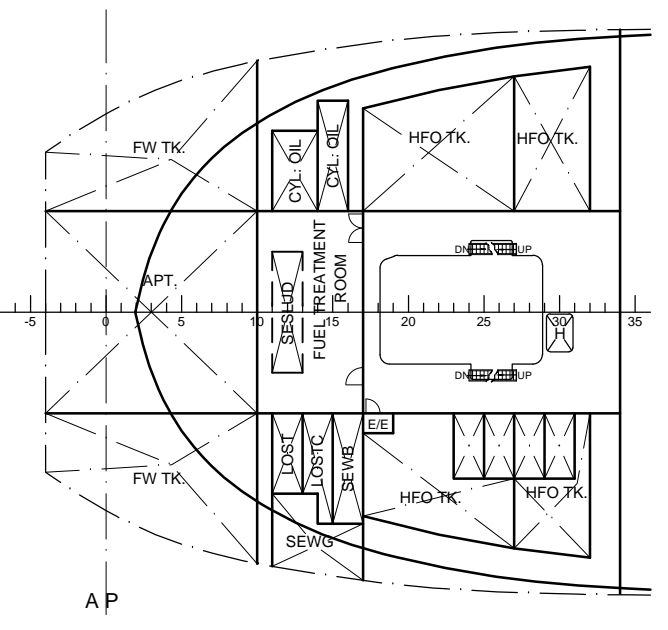
TRANSVERSE BULKHEAD



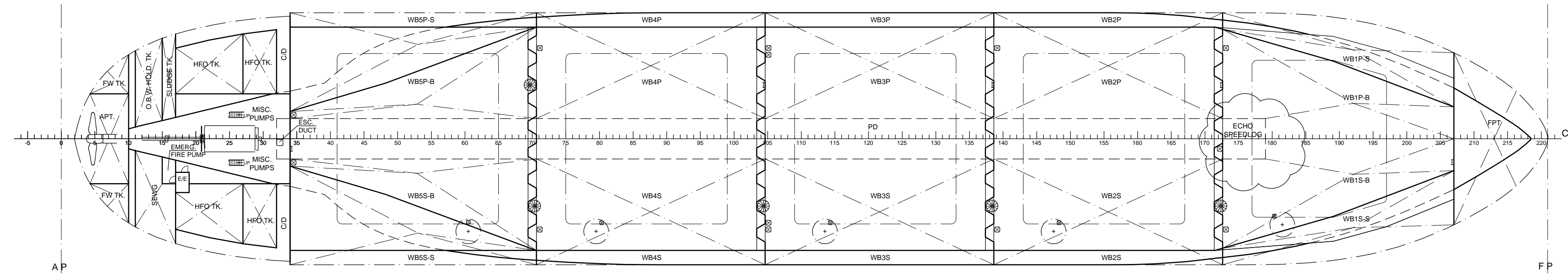
A-DECK  
10700 AB. BL



UPPER DECK  
14700 AB. BL (SIDE)



B-DECK  
7700 AB. BL



TANK TOP  
1600/1905 AB. BL

A1 009-01

## SEAHORSE 35 - 34,650 DWT BULK CARRIER

MAIN DIMENSIONS (ALL APPROX):

LENGTH OA MAX.	180.00 m
LENGTH PP APPROX.	176.75 m
RULE LENGTH	174.60 m
BREADTH (MLD)	30.00 m
DEPTH TO UPPER DECK (MLD)	14.70 m
CARGO CAPACITY (100%)	46,700 m <sup>3</sup>
DWT (SCANTLING DRAUGHT)	34,650 t
SCANTLING DRAUGHT	10.10 m
CB (SCANTLING DRAUGHT)	0.82
SERVICE SPEED (SCANTLING DRAUGHT)	14.00 kn
CORRESPONDING OUTPUT (15% SEA MARGIN)	5,700 kW

CLASS NOTATION:

DnV +1A1 Bulk Carrier ES(D), CSR, BC-A (Holds 2 and 4 may be empty), GRAB(20), ESP, E0, HA(+), DK(+), TMON, BIS, FUEL (700 cSt, 991 kg/m<sup>3</sup>, -15 deg), DG-B, BWM(s,f)

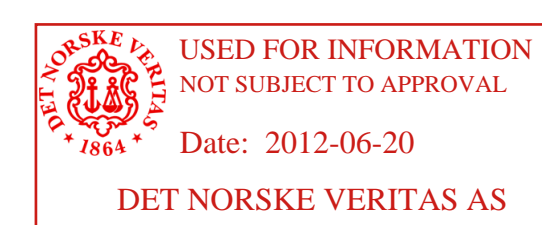
NOTE:

VESSEL IS PREPARED FOR LATER INSTALLATION OF LOG STANCHIONS. THUS, DWT IS REDUCED TO 34,650 t.

B	MINOR UPDATES. BOLLARDS UPDATED.	NHA/KAW	NHA	KSA	2012-06-14
A	DWT UPDATED WRT. LOG STANCHIONS	PGS	KSA	KSA	2011-12-01
Revision/Description		Dgn./Eng.	Control	Approval	Date
				Class	-
				Owner	-
				Yard	-
				Granskoven 8	-
				DK-2600 Glostrup	-
				Denmark	-
				Phone: +45 43 48 60 60	-
				Fax: +45 43 48 66 60	-
Scale	1:400	Size	841x594	Dgn./Eng.	TAW
				Control	KSA
				Approval	KSA
				Date	2011-09-02
Job	SEAHORSE 35 - GYSB				
Subject	GUOYU SHIPBUILDING NOS.GY201,GY202				
				Job No.	40.5299.00
				Drawing No.	



Marine  
Naval Architects - Marine Engineers - Surveyors



USED FOR INFORMATION  
NOT SUBJECT TO APPROVAL  
Date: 2012-06-20  
DET NORSKE VERITAS AS

GENERAL ARRANGEMENT