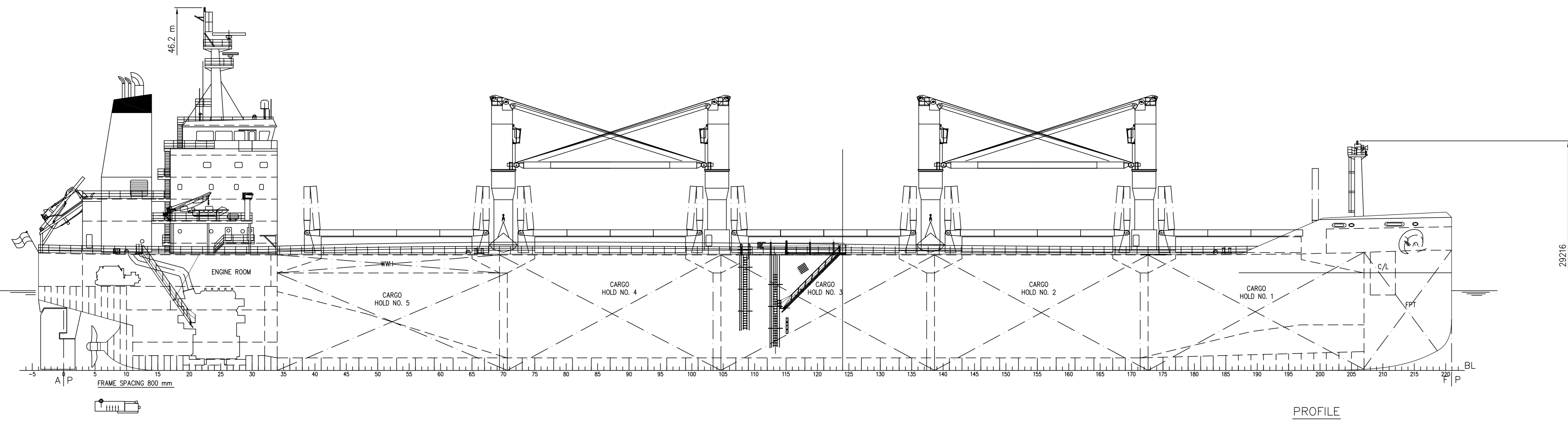
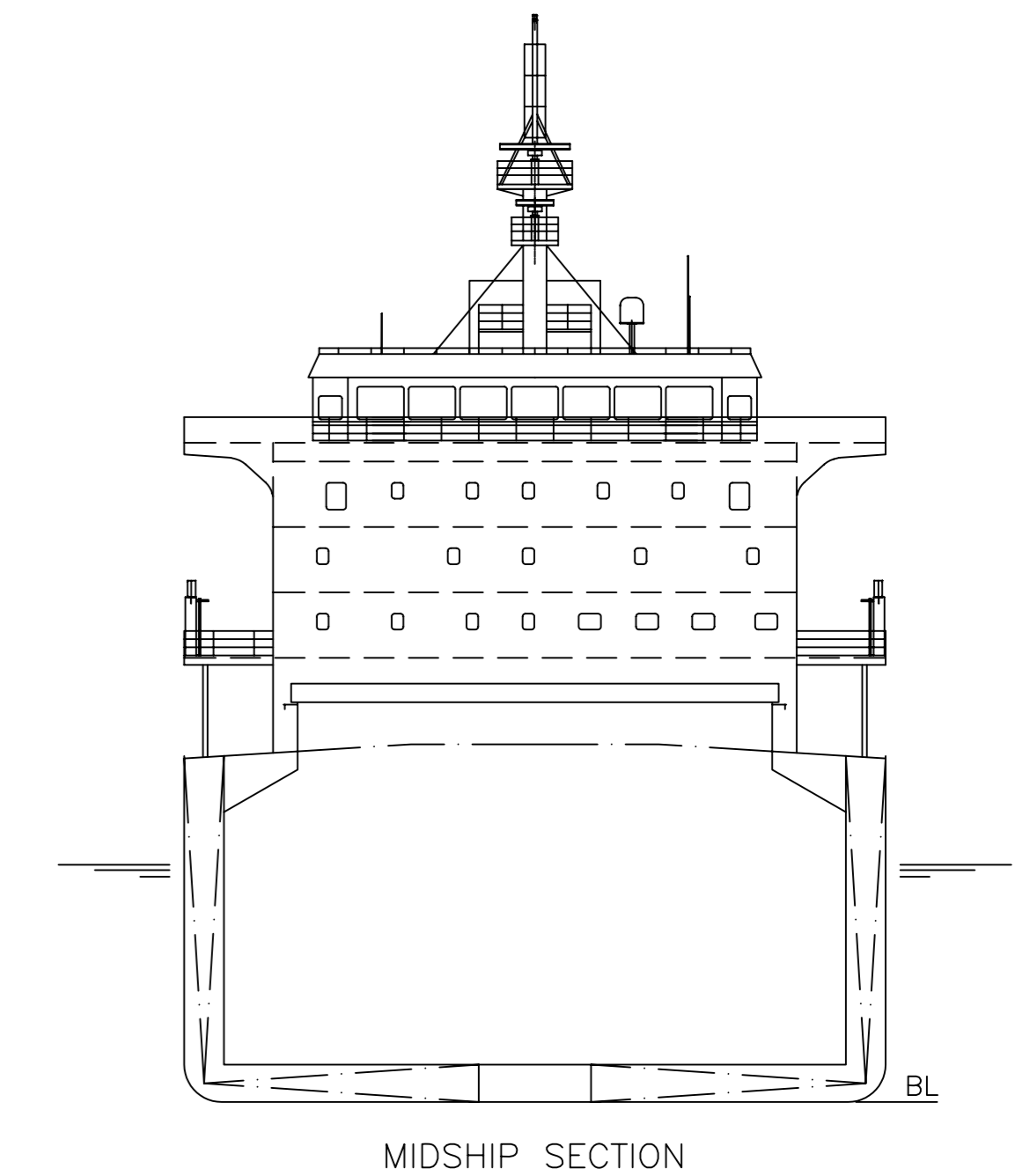


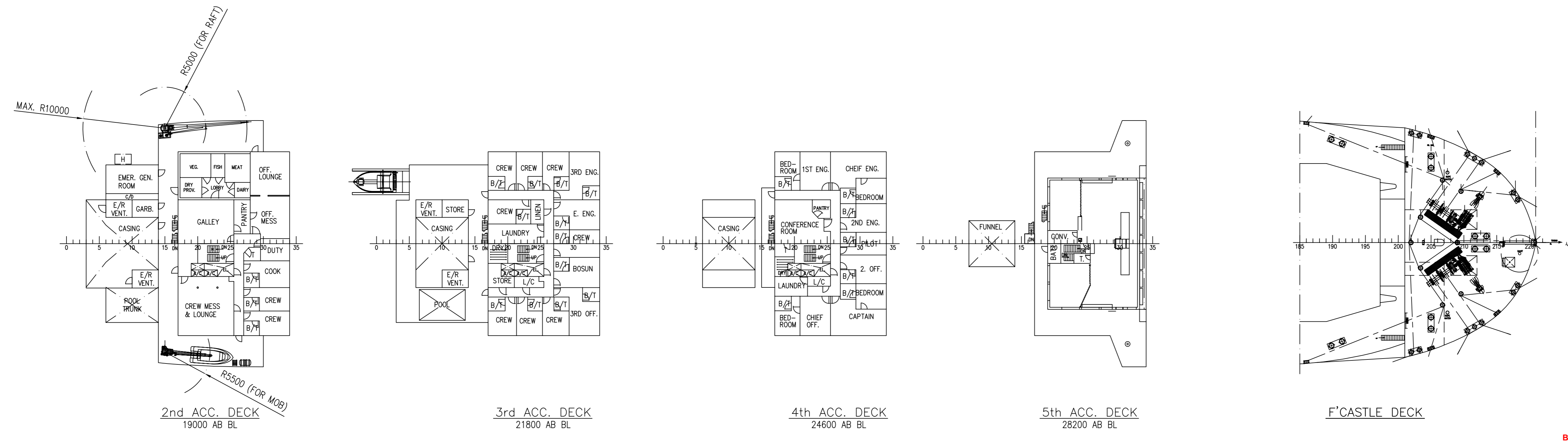
WHEELHOUSE TOP
31200 mm AB, BL
5th ACC. DECK
28200 mm AB, BL
4th ACC. DECK
24600 mm AB, BL
3rd ACC. DECK
21800 mm AB, BL
2nd ACC. DECK
19000 mm AB, BL
1st ACC. DECK 16200 mm AB, BL
UPPER DECK (SIDE)
14700 mm AB, BL
A-DECK 10700 mm AB, BL
B-DECK 7700 mm AB, BL
F/R FLOOR 3750 mm AB, BL
TANK TOP
1600/1885 mm AB, BL



PROFILE



MIDSHIP SECTION



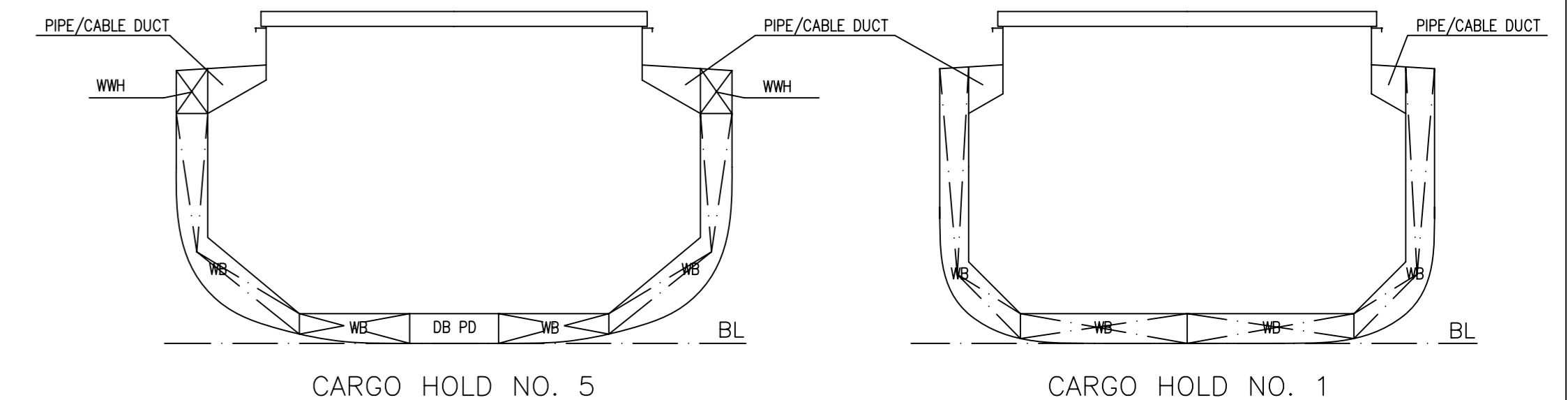
2nd ACC. DECK
19000 AB BL

3rd ACC. DECK
21800 AB BL

4th ACC. DECK
24600 AB BL

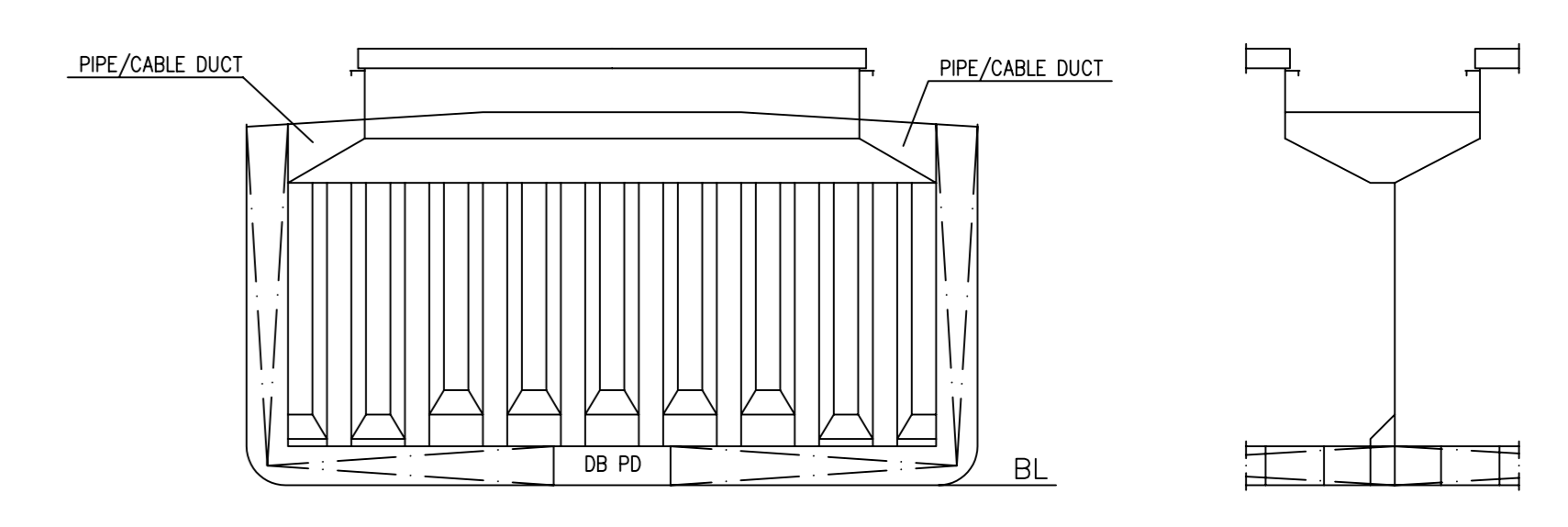
5th ACC. DECK
28200 AB BL

F'CASTLE DECK



CARGO HOLD NO. 5

CARGO HOLD NO. 1



TRANSVERSE BULKHEAD

BUREAU VERITAS Register 19016W
FOR REFERENCE
See report n° 1200/STA
Shanghai, 05-Jan-2012
(Electronic document)



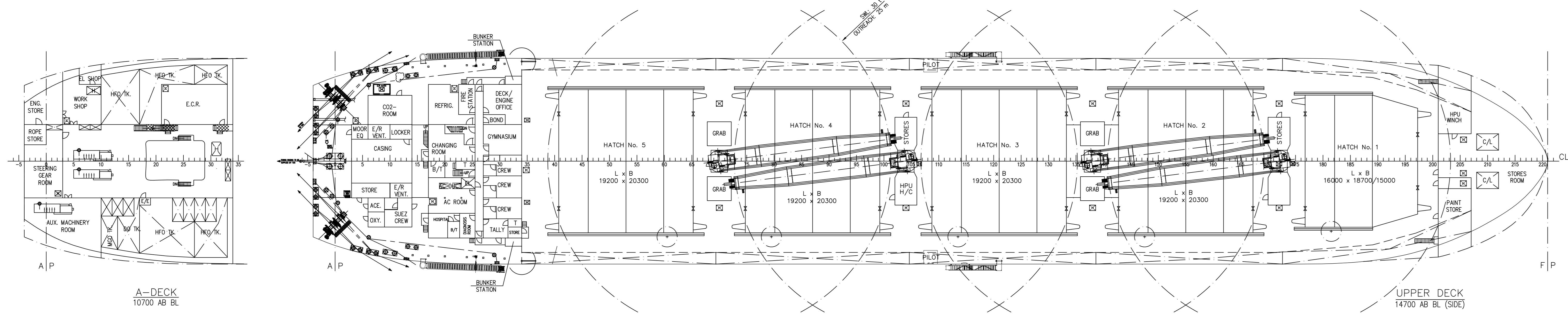
SEAHORSE 35 - 35,000 DWT BULK CARRIER

MAIN DIMENSIONS (ALL APPROX):

LENGTH OA MAX.	: 180.00 m
LENGTH PP APPROX.	: 176.75 m
RULE LENGTH	: 174.60 m
BREADTH (MLD)	: 30.00 m
DEPTH TO UPPER DECK (MLD)	: 14.70 m
CARGO CAPACITY (100%)	: 46,700 m ³
DWT (SCANTLING DRAUGHT)	: 35,000 t
SCANTLING DRAUGHT	: 10.10 m
CB (SCANTLING DRAUGHT)	: 0.82
SERVICE SPEED (SCANTLING DRAUGHT)	: 14.00 kn
CORRESPONDING OUTPUT (15% SEA MARGIN)	: 6,300 kW

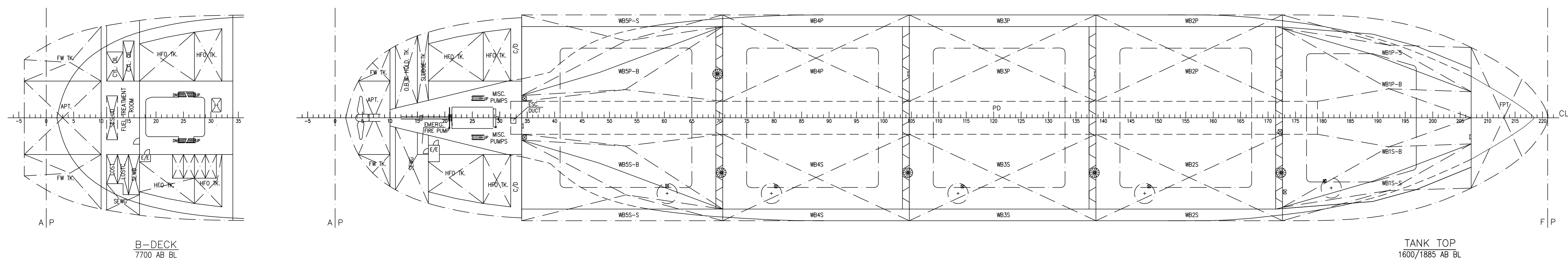
CLASS NOTATION:

BV I, +HULL, +MACH, Bulk Carrier CSR, CPS(WBT), ESP, BC-A
(Holds 2 and 4 may be empty), GRAB(20), unrestricted navigation,
AUT-UMS, heavycargo, MON-SHAFT, INWATERSURVEY



UPPER DECK
14700 AB BL (SIDE)

A-DECK
10700 AB BL



TANK TOP
1600/1885 AB BL

B-DECK
7700 AB BL

Rev.	Description	GD-A	Date	Sign	WCR	Check
-	-	-	-	-	-	-
-	-	-	-	-	-	-
F	-	-	23-11-2011	YYH	-	-

		Grønskovvej 8 DK-2600 Glostrup Denmark Telephone +45 43 48 60 60 Telefax +45 43 48 66 88	
Job	: SEAHORSE 35	Job No.	: 40.4767.00
Subject	: GENERAL ARRANGEMENT	Draw No.:	: 009-01
Yard	: NANTONG JINGHUA SHIPBUILDING CO. LTD., CHINA	Approval Date	: 07-May-2010
Yard No.	: BC350-04	Sign	: WAG/LIN
Class	: BUREAU VERITAS	Check	: SCS
Owner	: NORDIC HAMBURG SHIPPING		