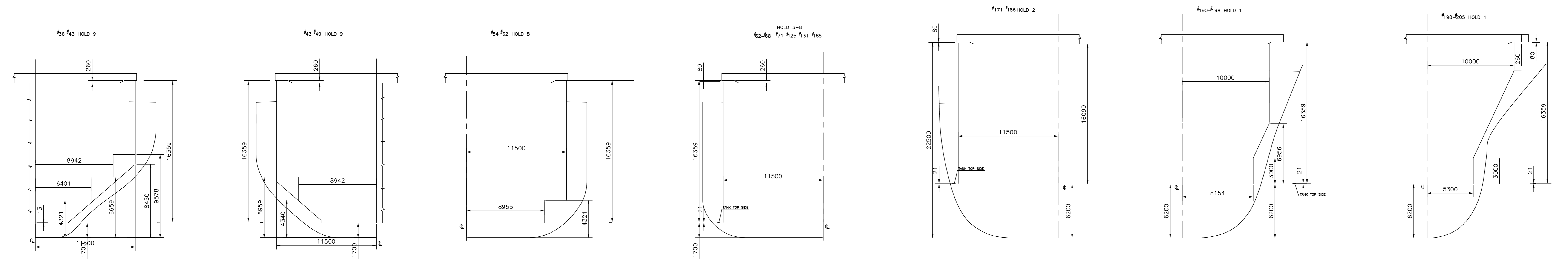
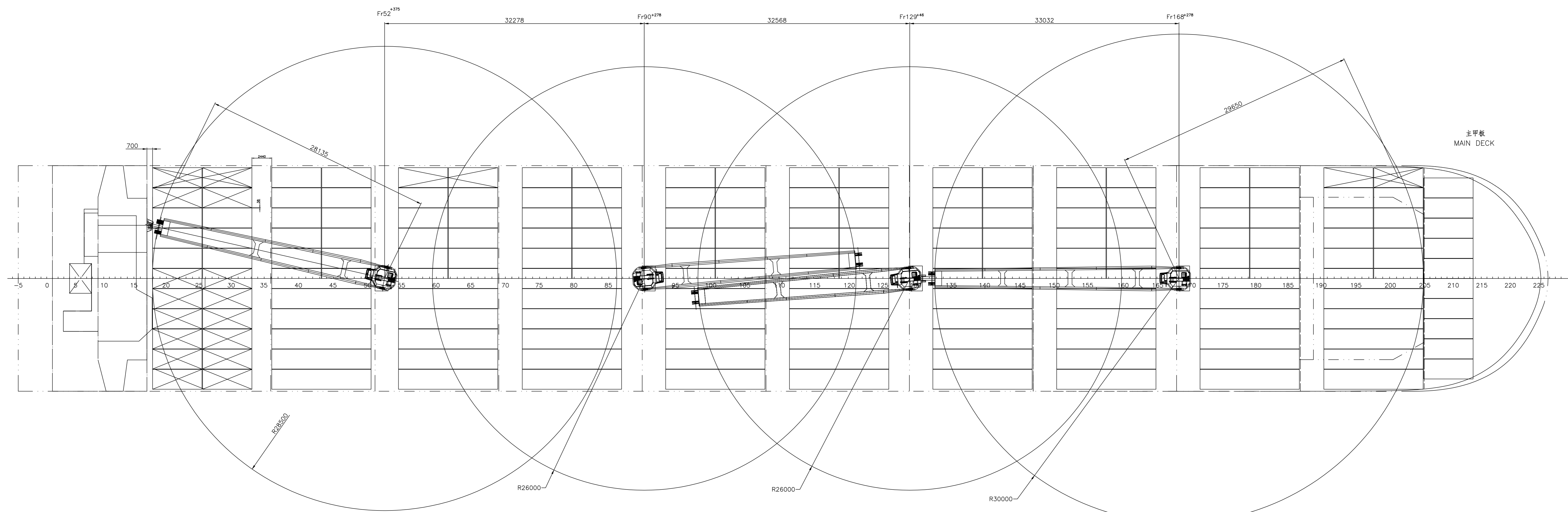


PRINCIPAL PARTICULARS

LENGTH (O.A)	abt 188.64 m
LENGTH (B.P)	177.00 m
BREADTH (M.L.D)	27.70 m
DEPTH (M.L.D)	15.50 m
DRAUGHT (DESIGN)	10.10 m
DRAUGHT (SCANTING)	11.30 m
DEADWEIGHT(DRAUGHT=10.7m)	32200 T
HEIGHT TO TWEEN DECK	12.20 m
SERVICE SPEED	14.50 Kn
ENDURANCE	18000 smile
COMPLEMENT	29 P
HOLD CAPACITY	45069 cbm
CONTAINER	IN HOLD ON DECK TOTAL
20 FEET CONTAINERS	896 970 1888

CLASS NOTATION:
 DNV+1A1 (bulk carrier) ESP
 HC/E (holds 2,4&6 empty or holds 3,5&7 empty)
 DG-B (only for hold No.1 through No.8)
 grain U,ECO



BUILDER	KOU AN SHIPYARD	SHIP'S NO.	KA206/207
DESIGNER	MARINE DESIGN & RESEARCH INSTITUTE OF CHINA		
	32000 DWT BULK CARRIER	DETAIL DESIGN	
设计	GENERAL ARRANGEMENT	按 20 吨 重量 kg	比 例
制图			1:200
审核			共 1 页 第 1 页
批准			MARIC

面积	m ²
管板(特殊)	号
日 期	签字