

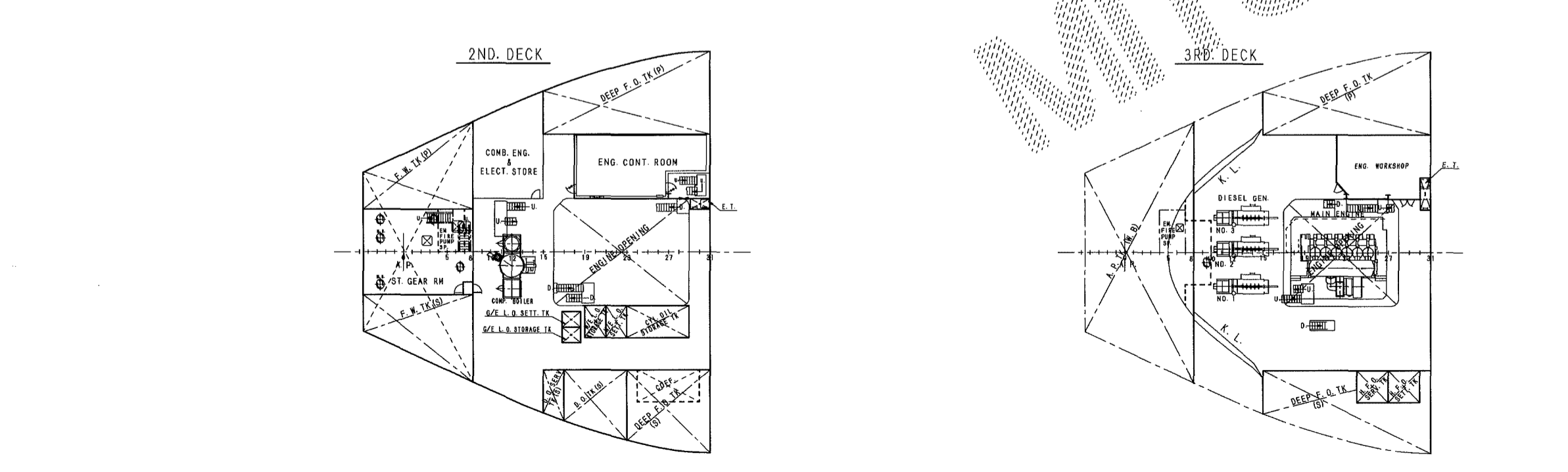
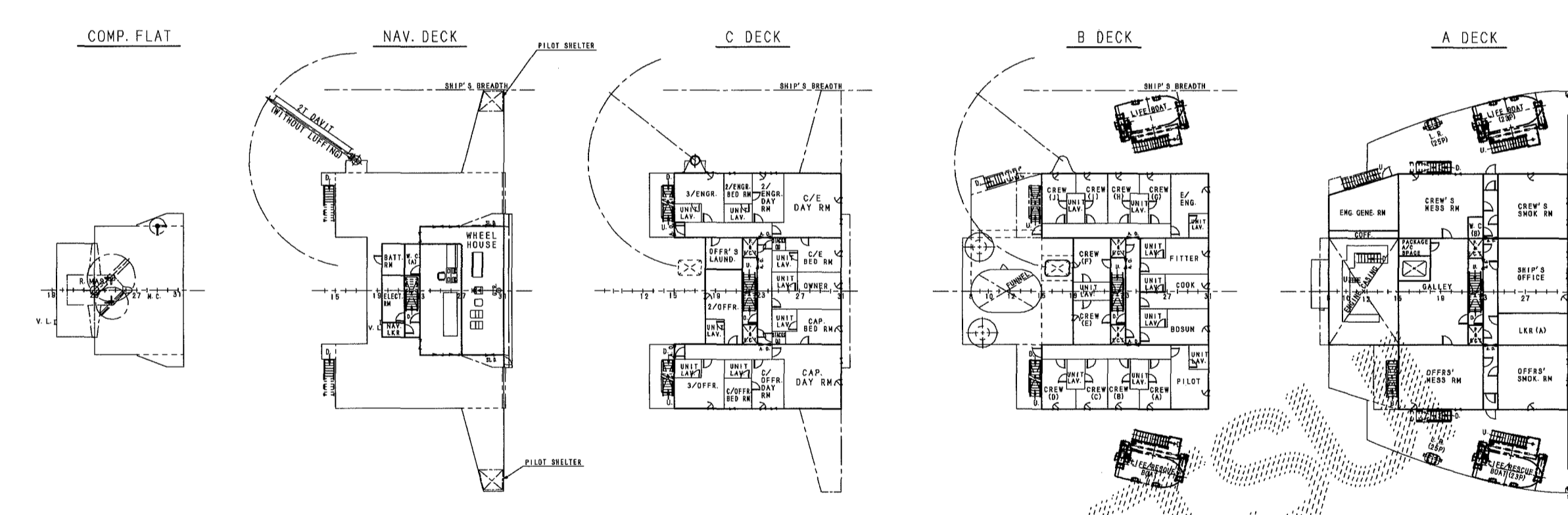
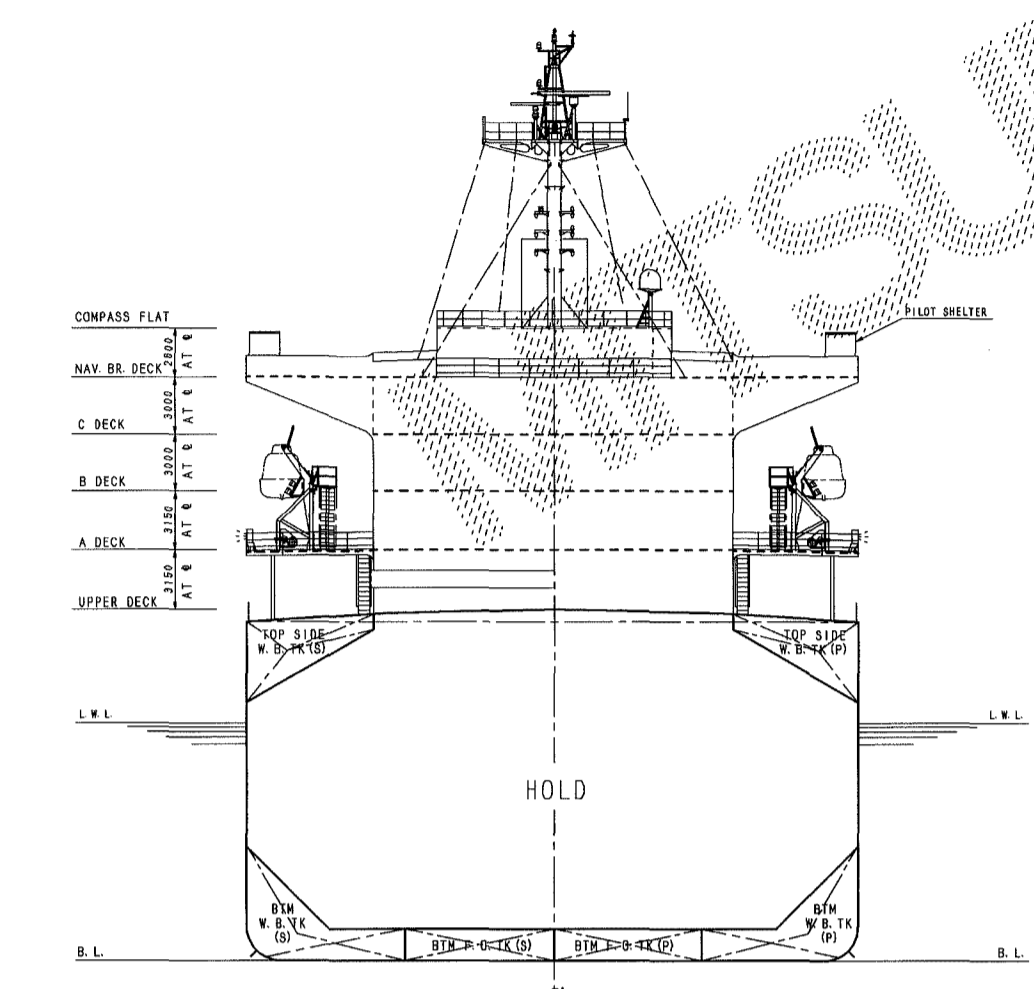
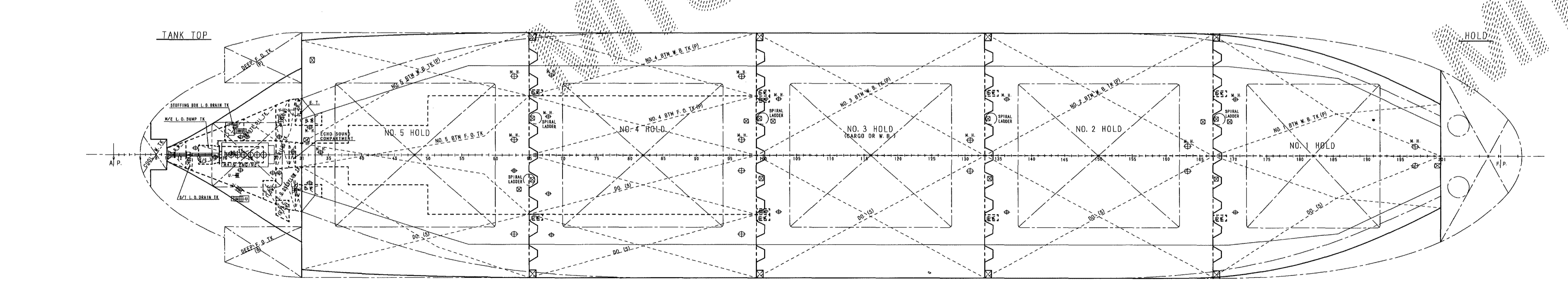
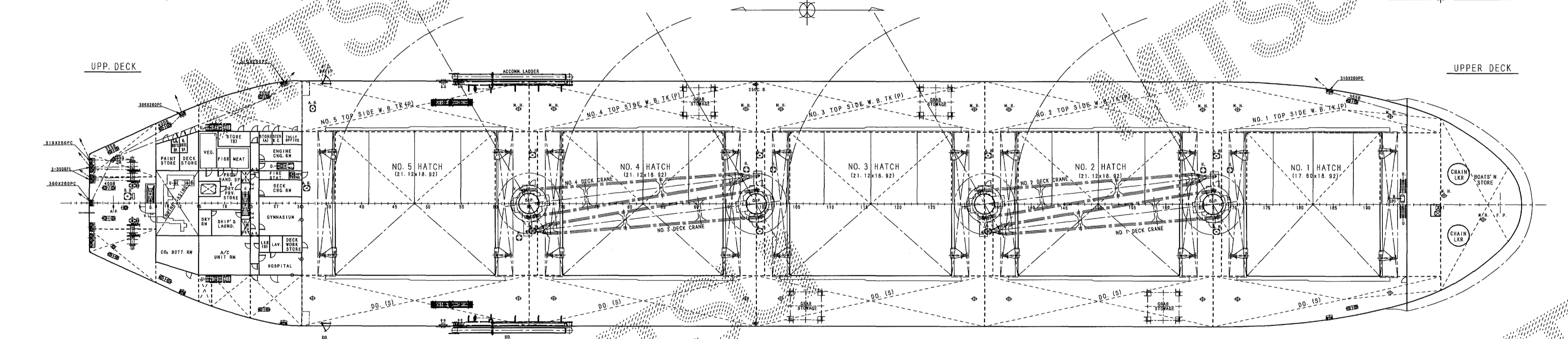
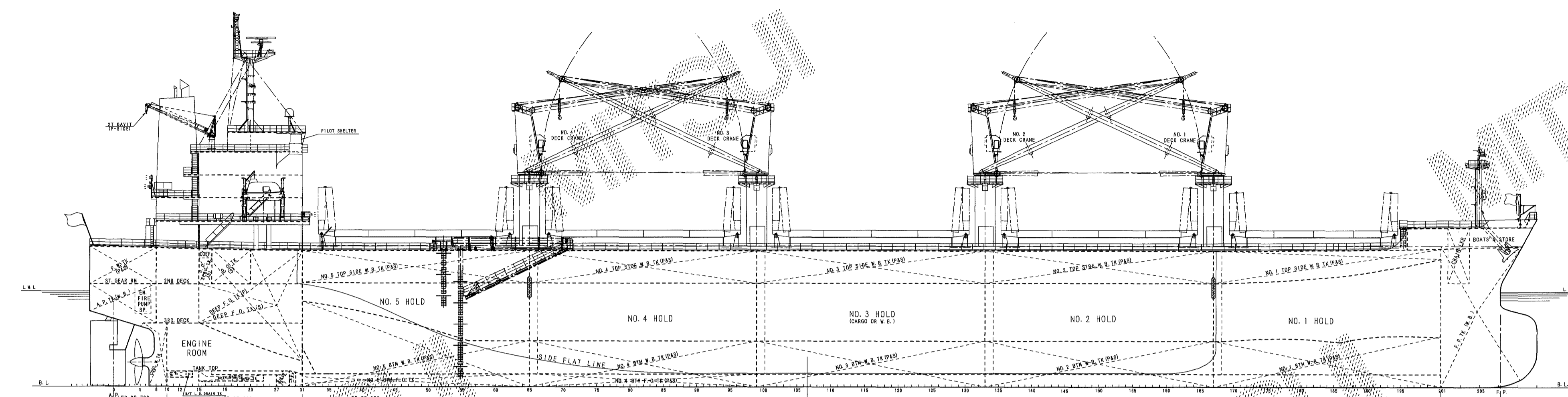
ANNI SELMER GENERAL ARRANGEMENT

PLAN HISTORY
9 January 2009 PREPARED FOR FINISHED PLAN

PRINCIPAL PARTICULARS	
1. PRINCIPAL DIMENSIONS	
LENGTH (O. A.)	189.99 M
LENGTH (P. P.)	182.00 M
BREADTH (M.L.D.)	32.26 M
DEPTH (M.L.D.)	17.90 M
DRAFT (M.L.D.) DESIGN	11.20 M
DRAFT (M.L.D.) SCANTLING	12.55 M
2. TONNAGE	
GROSS (INTERNATIONAL)	31,222 M.T.
NET (INTERNATIONAL)	18,534 M.T.
3. DEADWEIGHT (DESIGN/SCANTLING)	
	48,129/55,639 M.T.
4. MAIN ENGINE	
TYPE & NO.	MITSUI MAN B&W 6S50MCC 1 SET
M. C. R.	9,480 kW X 127 RPM.
N. S. R.	7,080 kW X 115.2 RPM.
5. SERVICE SPEED	
	ABT. 14.5 KTS. (ON DESIGN DRAFT AT NSR WITH 15% SEA MARGIN)
6. COMPLEMENT	
TOTAL	23 P.
7. CLASS	
	DNV +1A1. BULK CARRIER, ESP. ES (S), HC-E, HOLDS 2.4 EMPTY, EO, TMON, GRAIN-U
8. PORT OF REGISTRY	
	MAJURO, MARSHALL ISLANDS
9. IMO No.	
	9397860
10. OFFICIAL NUMBER	
	90368
11. CALL SIGN	
	V70R7
12. OWNER	
	MS' ANNI SELMER SCHIFFFAHRTSGESELLSCHAFT MBH & CO. KG
13. BUILDER	
	MITSUI ENGINEERING & SHIPBUILDING CO., LTD., TAMANO WORKS
14. KEEL LAID	
	27 June 2006
15. LAUNCHED	
	20 November 2008
16. DELIVERED	
	23 January 2009

THE INFORMATION SHOWN ON THIS DRAWING OR DOCUMENT IS THE EXCLUSIVE PROPERTY OF MES. YOU ARE REQUESTED TO HANDLE IT IN STRICT CONFIDENCE. IT MUST NOT BE USED COPIED OR REPRODUCED WITHOUT THE EXPRESS PERMISSION OF MES.

FINISHED PLAN



M MITSUI ENGINEERING & SHIPBUILDING CO., LTD. TAMANO WORKS		
SHIP DESIGN DEPARTMENT GENERAL MANAGER	SHIP'S NO. S. No.1633	SHIP'S NAME ANNI SELMER
PROJECT MANAGER <i>A. Jatta</i>	D. W. 55,500 M. T. TYPE BULK CARRIER	
MANAGER A. Nitta	一般配置図	
ASSIST. MANAGER	GENERAL ARRANGEMENT	
CHARGE ENGR R. Moritani		
DRAWER		
JOB NO. TS1633	JOBCLASSIF. NO.	SCALE 1/400
		DRAWING NO. 1KDGG01
		LIST NO. HA-02