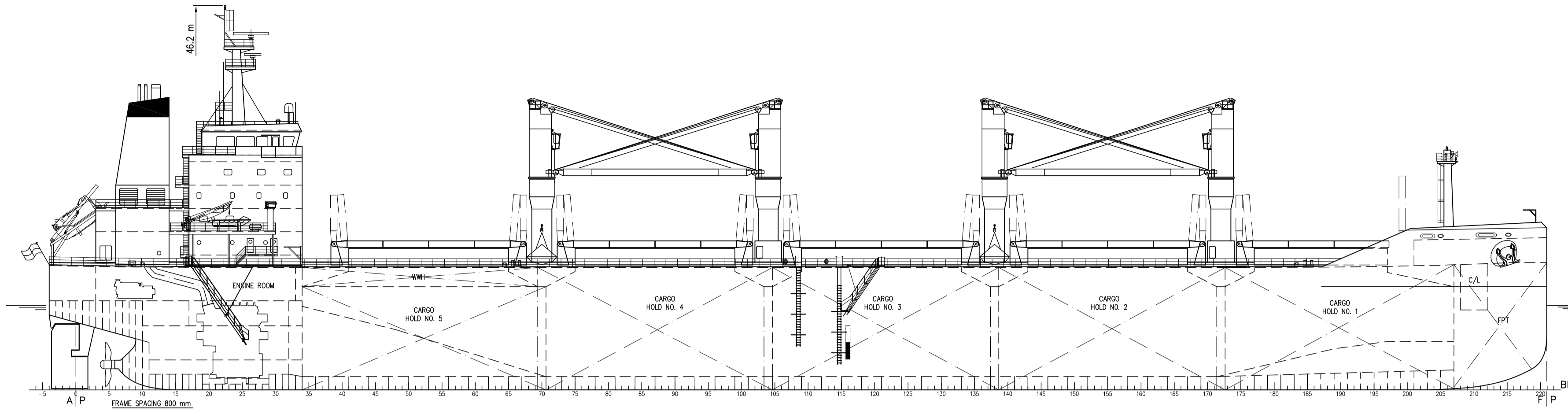
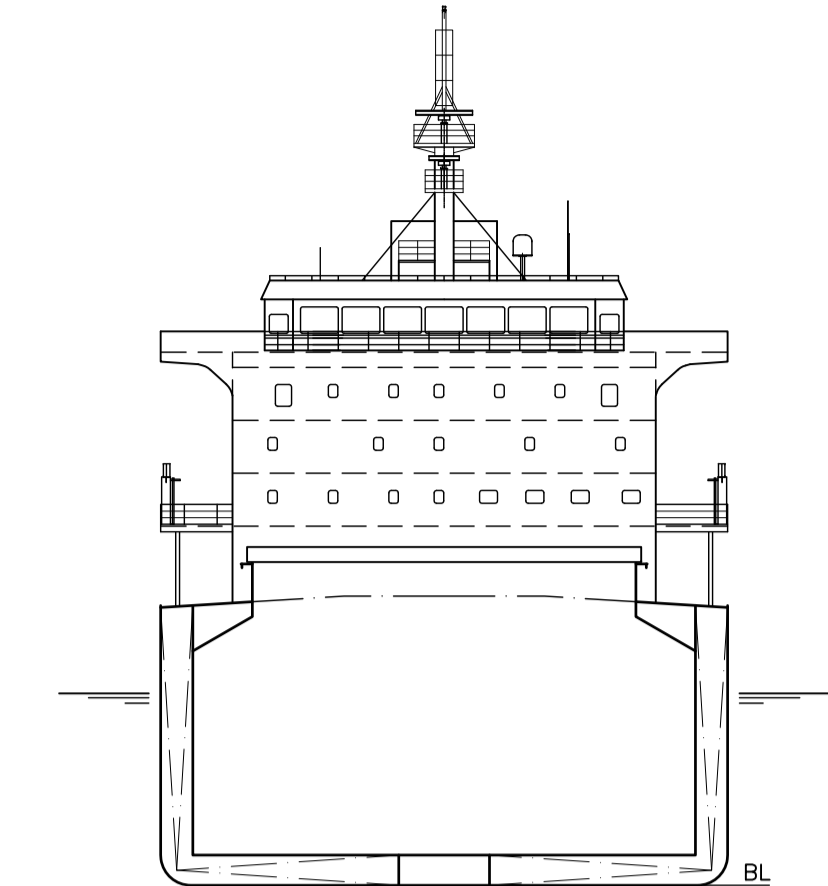


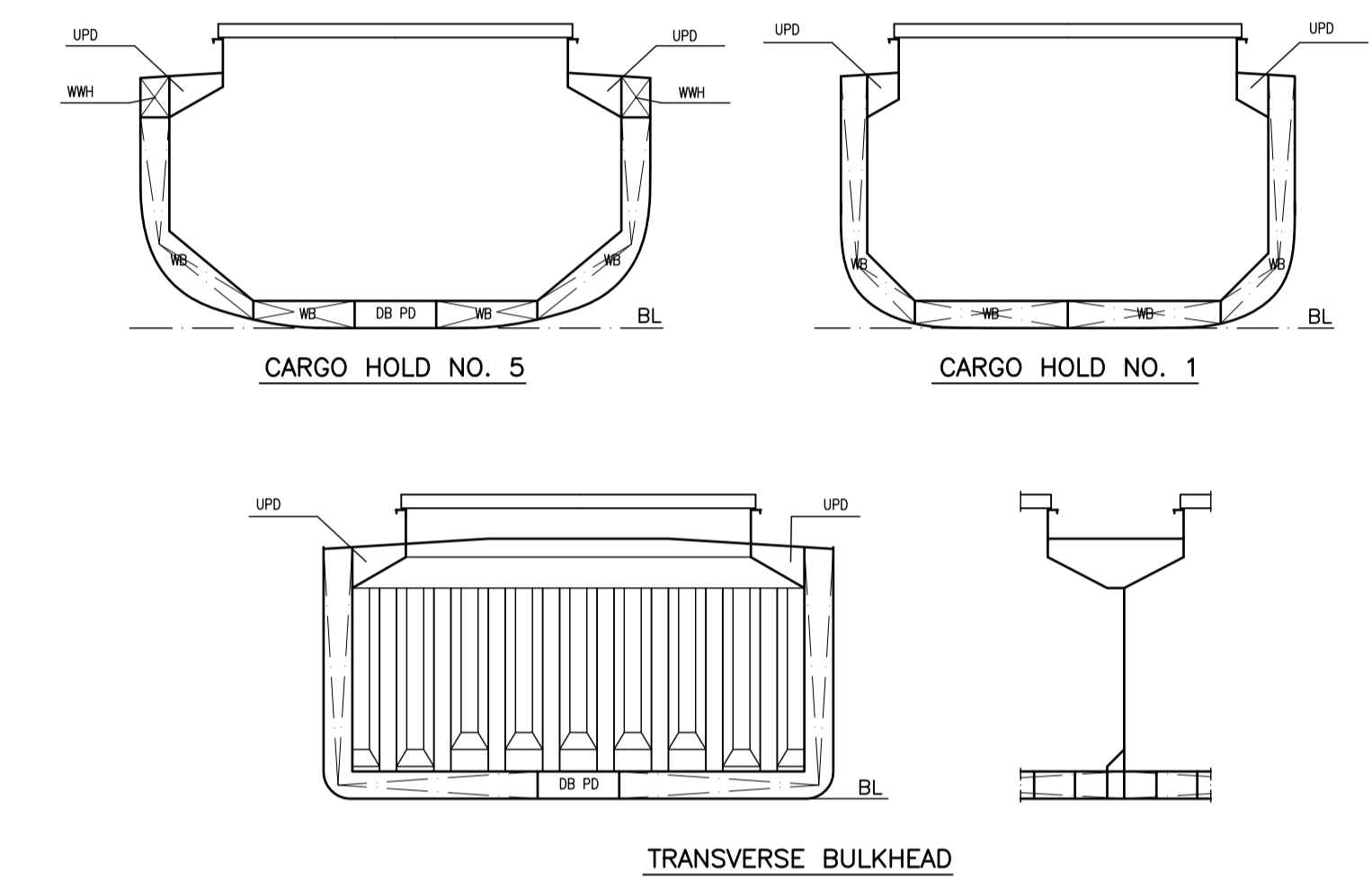
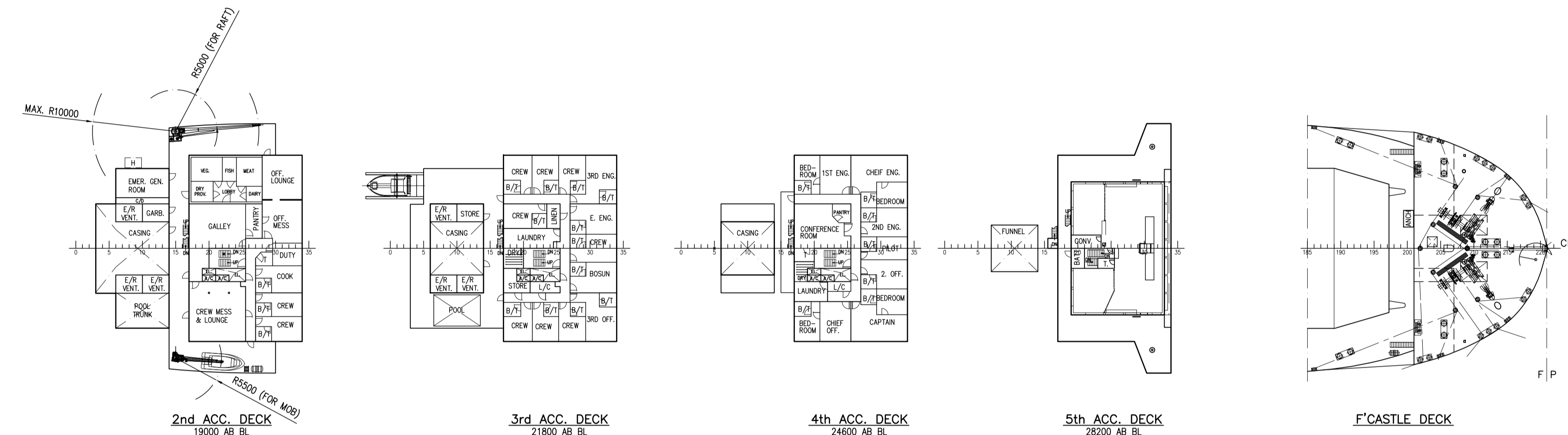
- WHEELHOUSE TOP  
31200 mm AB. BL.
- 5th ACC. DECK  
28200 mm AB. BL.
- 4th ACC. DECK  
24600 mm AB. BL.
- 3rd ACC. DECK  
21800 mm AB. BL.
- 2nd ACC. DECK  
19000 mm AB. BL.
- 1st ACC. DECK 16200 mm AB. BL.
- UPPER DECK (SIDE)  
14700 mm AB. BL.
- A-DECK 10700 mm AB. BL.
- B-DECK 7700 mm AB. BL.
- E/R FLOOR 3750 mm AB. BL.
- TANK TOP  
1600/1885 mm AB. BL.



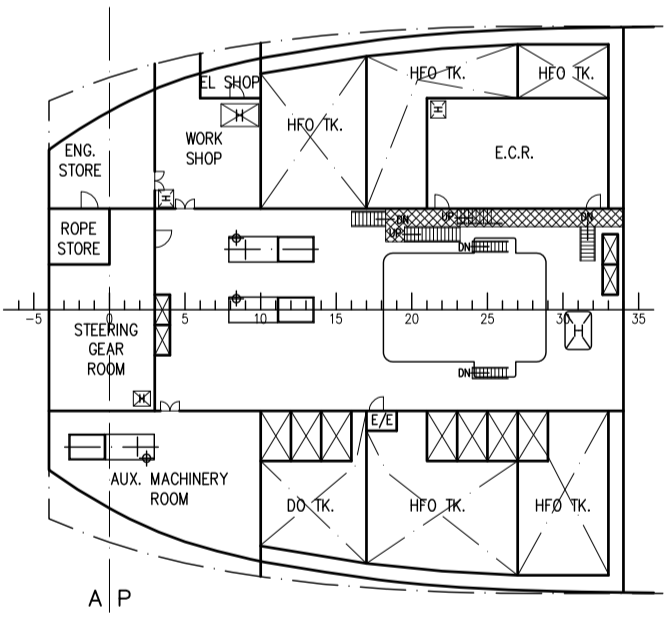
PROFILE



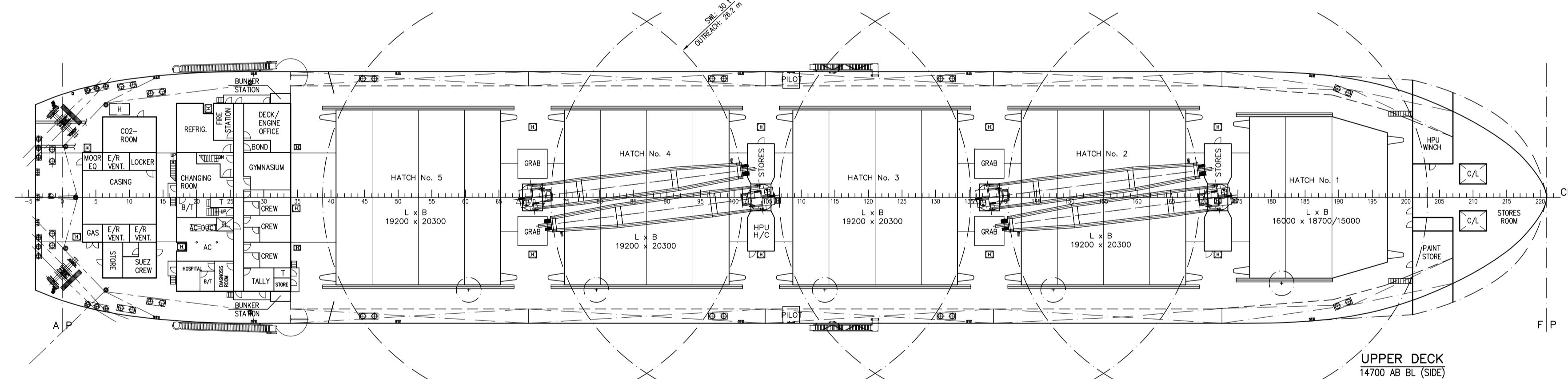
MIDSHIP SECTION



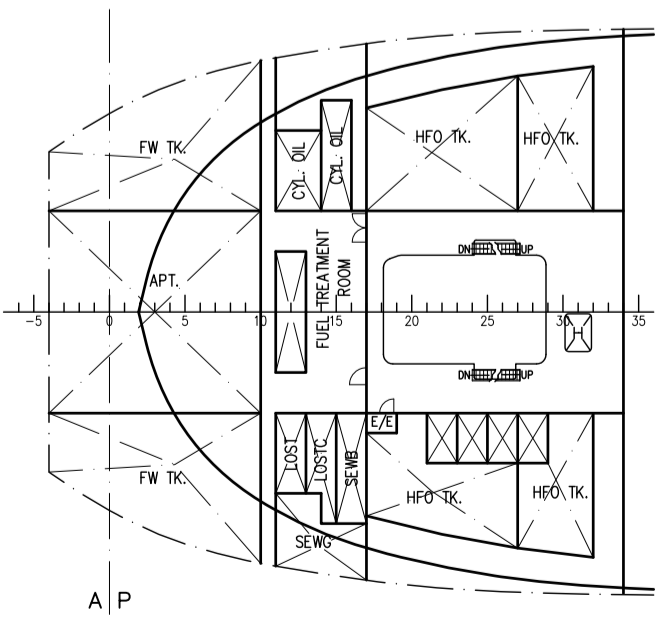
TRANSVERSE BULKHEAD



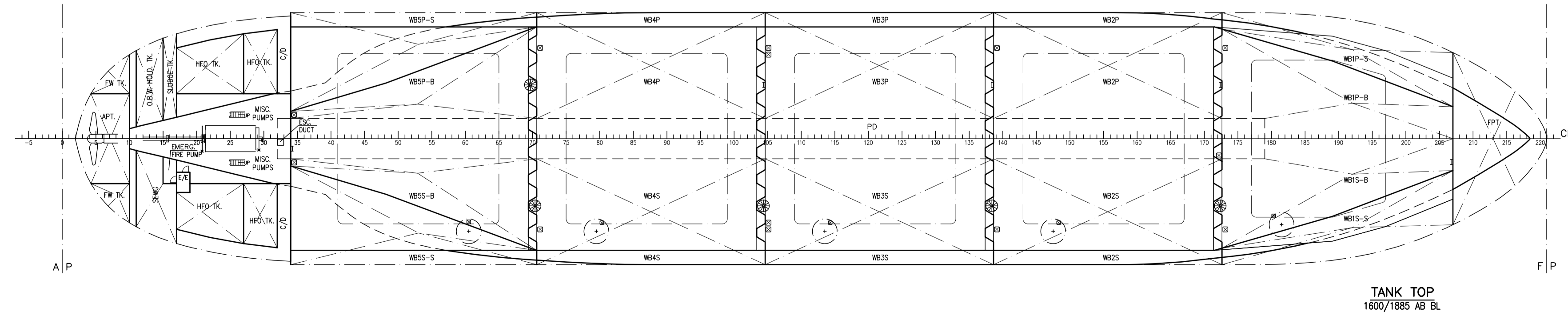
A-DECK  
10700 AB BL



UPPER DECK  
14700 AB BL (SIDE)



B-DECK  
7700 AB BL



TANK TOP  
1600/1885 AB BL

### SEAHORSE 35 - 35,000 DWT BULK CARRIER

MAIN DIMENSIONS (ALL APPROX):

LENGTH OA MAX.	: 180.00 m
LENGTH PP APPROX.	: 176.75 m
RULE LENGTH	: 174.60 m
BREADTH (MLD)	: 30.00 m
DEPTH TO UPPER DECK (MLD)	: 14.70 m
CARGO CAPACITY (100%)	: 46,700 m <sup>3</sup>
DWT (SCANTLING DRAUGHT)	: 35,000 t
SCANTLING DRAUGHT	: 10.10 m
CB (SCANTLING DRAUGHT)	: 0.82
SERVICE SPEED (SCANTLING DRAUGHT)	: 14.00 kn
CORRESPONDING OUTPUT (15% SEA MARGIN)	: 6,000 kW

CLASS NOTATION:  
 DNV +1A1 BULK CARRIER ES(D), CSR, BC-A (CH 2 and 4 may be empty), GRAB(20), DG-B, HA(+), ESP, EO, TMON, BIS, FUEL (700cSt, 991kg/m<sup>3</sup>, -15°C), BWM-E(s,f), COAT-PSPC(B)

Rev.	Description	GD-D	Date	Sign	Check

<b>Grontmij   Carl Bro</b> Marine Naval Architects-Marine Engineers-Surveyors		Grankoven 8 DK-2600 Glostrup Denmark Telephone+45 43 48 60 60 Telefax +45 43 48 66 88
Job :	SEAHORSE 35	Job No. : 40.4555.00
Subject :	GENERAL ARRANGEMENT - VERSION 2010-1-3	Draw No. : 009-01
Yard :	-	Scale : 1:400
Yard No. :	-	Approval Date
Class :	-	Size : 840 x 594
Owner :	-	Date : 20-Apr-2010
		Sign : WAG
		Check : SCS